

# Primary Safari

Equipment Manufacturer



350-2421



# Primary Safari

Equipment Manufacturer



350-2421





PLAYWORLD SYSTEMS, INC.  
 1000 Buffalo Road  
 Lewisburg, PA  
 17837-9795 USA

EQUIPMENT SIZE:  
**24'0" x 20'5" x 15'2"**  
 7,32M x 6,22M x 4,62M

USE ZONE:  
**26'0" x 31'0"**  
 10,98M x 9,46M

AREA: **881 SqFt.** PERIMETER: **108'6"**  
 81,84 SqM. 33,07M

FALL HEIGHT:  
**5 Ft.**  
 1,53M

USER CAPACITY: **31** AGE GROUP: **2-5**

ADA SCHEDULE	Total Elevated Play Activities: 7		
	Total Ground-Level Play Activities: X		
	Accessible Elevated Activities	Accessible Ground-Level Activities	Accessible Ground-Level Play Types
Required	4	2	2
Provided	7	X	X

- ASTM F1487-21
- CPSC #325



PROJECT NO:  
**350-2421**

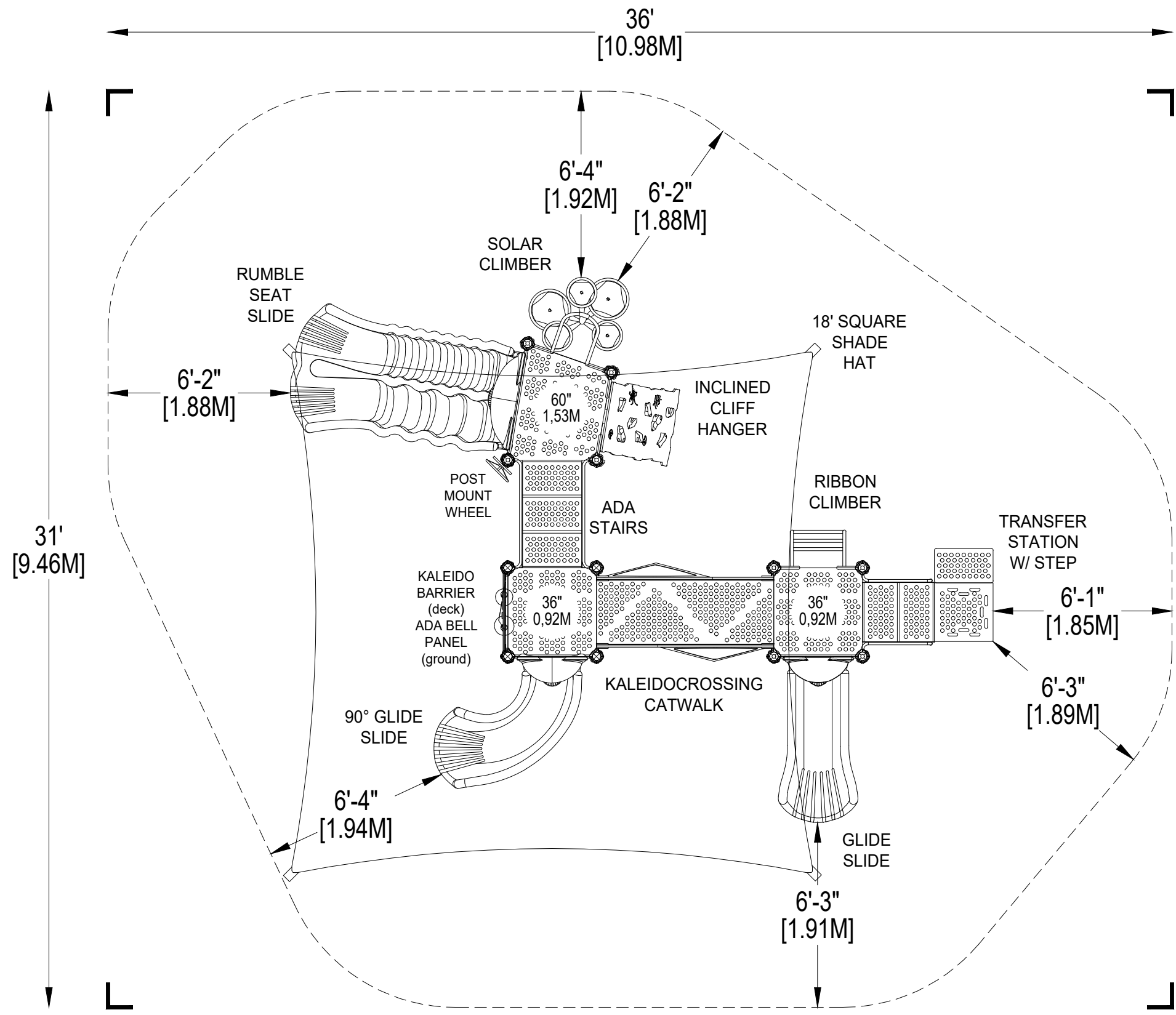
SCALE:  
**1/4"=1'-0"**

DRAWN BY:  
**M. MERTZ**

Paper Size

DATE:  
**25-SEPT-23**

**B**



\*PLAYGROUND SUPERVISION REQUIRED

**PRIMARY SAFARI**

CATALOG PRE-DESIGN



PLAYWORLD SYSTEMS, INC.  
 1000 Buffalo Road  
 Lewisburg, PA  
 17837-9795 USA

EQUIPMENT SIZE:  
**24'0" x 20'5" x 15'2"**  
 7,32M x 6,22M x 4,62M

USE ZONE:  
**26'0" x 31'0"**  
 10,98M x 9,46M

AREA: **881 SqFt.** PERIMETER: **108'6"**  
 81,84 SqM. 33,07M

FALL HEIGHT:  
**5 Ft.**  
 1,53M

USER CAPACITY: **31** AGE GROUP: **2-5**

ADA SCHEDULE	Total Elevated Play Activities: 7		
	Total Ground-Level Play Activities: X		
	Accessible Elevated Activities	Accessible Ground-Level Activities	Accessible Ground-Level Play Types
Required	4	2	2
Provided	7	X	X

- ✓ ASTM F1487-21
- ✓ CPSC #325



PROJECT NO:  
**350-2421**

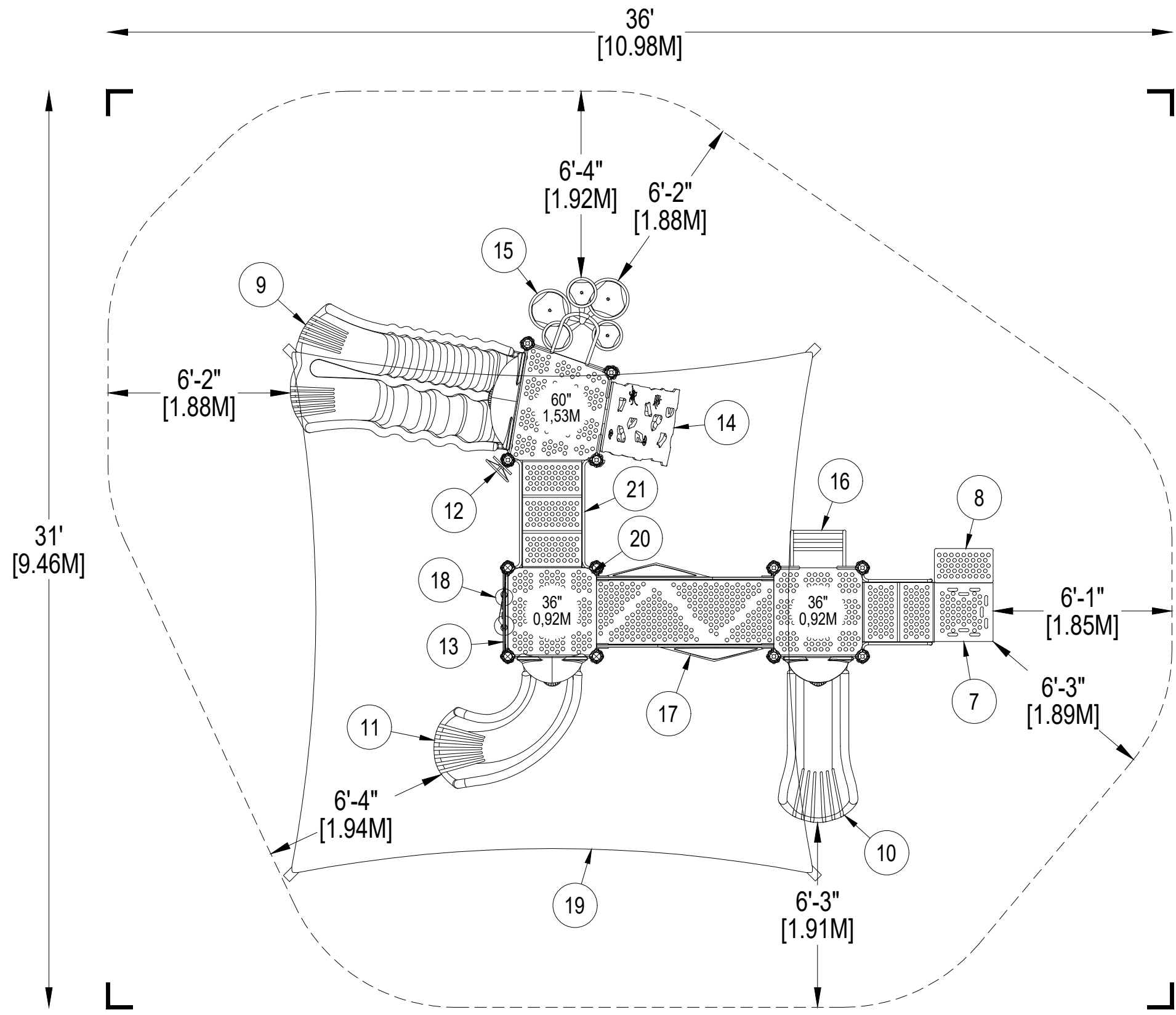
SCALE:  
**1/4"=1'-0"**

DRAWN BY:  
**M. MERTZ**

Paper Size

DATE:  
**25-SEPT-23**

**B**

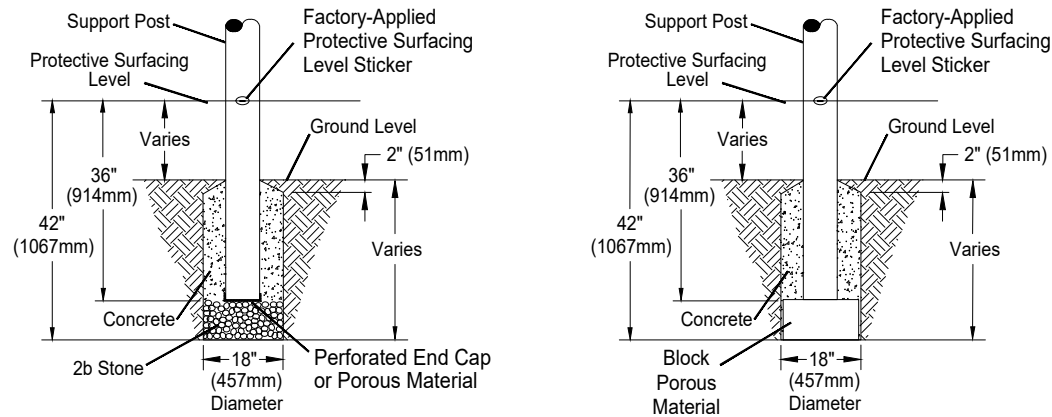


\*PLAYGROUND SUPERVISION REQUIRED

**PRIMARY SAFARI**  
 CATALOG PRE-DESIGN

**DETAIL 1**

**Support Post, Spiral Slide and Post Footing Detail**

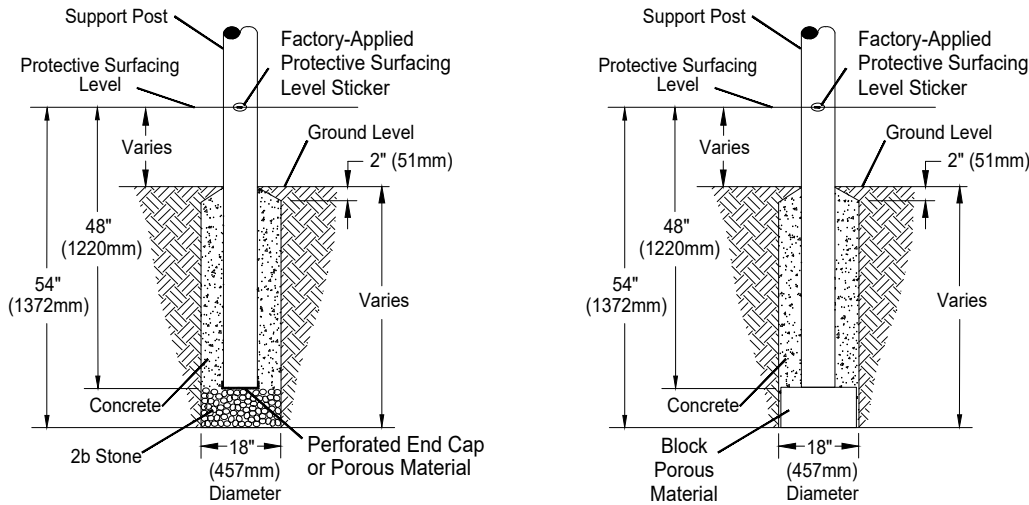


STONE OPTION OR BLOCK OPTION

When utilizing Post Extensions adjust depth of footing/concrete accordingly.

**DETAIL 2**

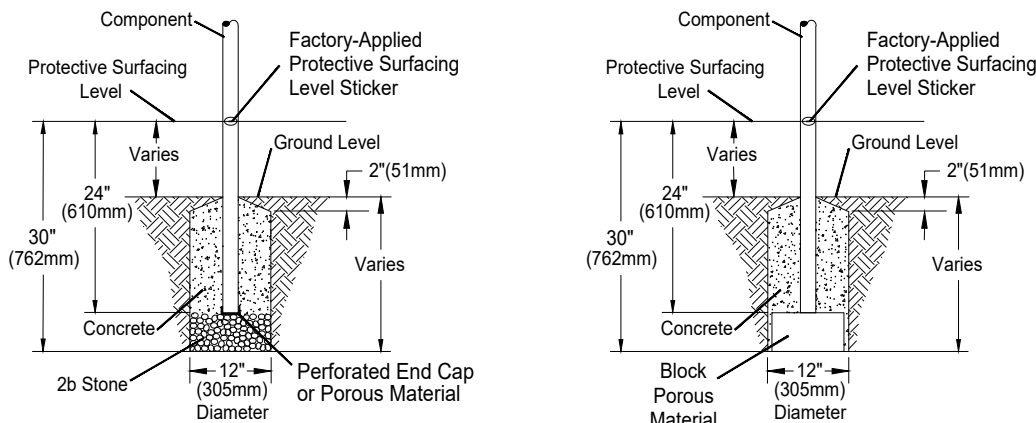
**GroundZero, Cantilever and "T" Post Footing Detail**



STONE OPTION OR BLOCK OPTION

**DETAIL 3**

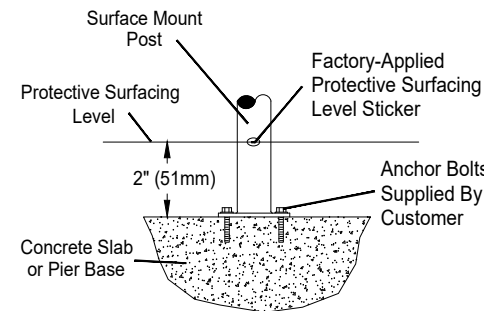
**Component Footing Detail**



STONE OPTION OR BLOCK OPTION

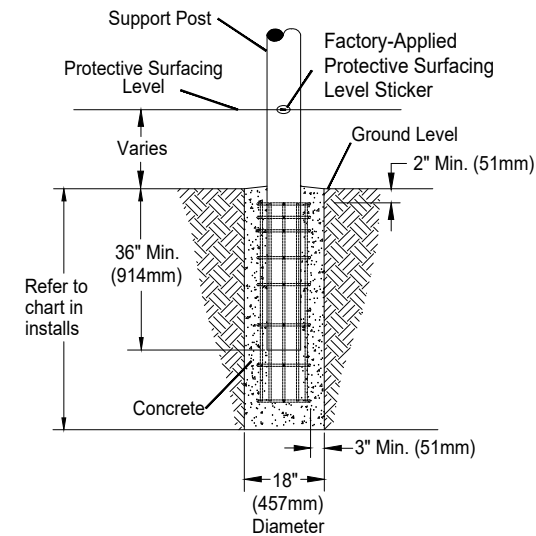
**DETAIL 4**

**Surface Mount Detail**



**DETAIL 5**

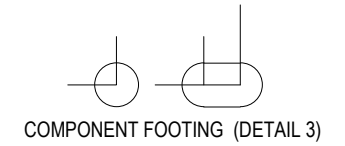
**Shade Post Footing Detail**



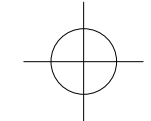
PLAYWORLD SYSTEMS, INC.

1000 Buffalo Road  
Lewisburg, PA  
17837-9795 USA

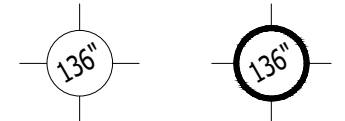
**FOOTING LEGEND**



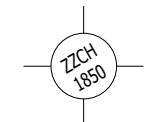
COMPONENT FOOTING (DETAIL 3)



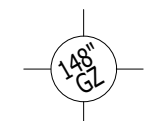
SPIRAL SLIDE CENTER POST FOOTING (DETAIL 1)



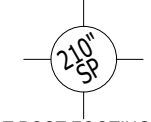
SUPPORT POST FOOTING (DETAIL 1 or 4)  
(136" INDICATES POST LENGTH)  
THICK BORDER INDICATES POST  
EXTENSION LOCATION



CANTILEVER, "T" POST, AND COMPONENT  
POST FOOTING (DETAIL 2)  
(ZZCH1850 INDICATES PART NUMBER)



GROUND ZERO POST FOOTING (DETAIL 2)  
(148" INDICATES POST LENGTH)



SHADE HAT POST FOOTING (DETAIL 5)  
(210" INDICATES POST LENGTH)

**SITE NOTES:**

- 1) The site plan provided must be checked against the actual site area to ensure that placement of your structure meets required clearances.
- 2) The dimensions labeled are for location of footing holes, not exact placement of equipment. Assemble, plumb, and level equipment before pouring concrete.
- 3) There must be a minimum distance of 6' (1830mm) between any obstacle, sidewalk, etc., and your structure.
- 4) Slides must have a use zone that extends out from the lower exit section of the slide a distance that is at least 6' (1830mm) or equal to the vertical distance from the highest point of the sliding surface to the top of the protective surfacing, whichever is greater. The slide use zone should not extend greater than 8' (2438mm) from the end of the lower exit section.
- 5) The complete area, including the space under and around the equipment, must be covered with an impact attenuating material. See the 1997 publication, "Handbook for Public Playground Safety", published by the U.S. Consumer Product Safety Commission, for guidelines and recommendations on the type and depth of surfacing material. For a copy of the "Handbook for Public Playground Safety", write to:  
**U.S. Consumer Product Safety Commission**  
Office of Information and Public Affairs  
Washington, D.C. 20207

**INSTALLATION NOTES:**

- 1) Paved surfaces, such as asphalt and concrete, are not acceptable for use under your structure.
- 2) It is the consumer's responsibility to check with local utilities prior to excavating footings for any underground utility lines that may exist within the installation area.
- 3) It is the consumer's responsibility to check local soil conditions and drainage within the site area. Inquire with local contractors for appropriate recommendations.
- 4) If the structure is to be installed across uneven terrain, maintain the support post mark for protective surfacing level at the lowest grade. Adjust other footings accordingly.
- 5) The base of footings must be below frost lines.
- 6) Do not encase the bottom of support posts in concrete. Place all posts directly on packed stone.
- 7) Assemble the entire structure before pouring concrete unless specifically instructed to do so in the individual component installation instructions.
- 8) Read completely the installation instructions provided with your structure prior to beginning construction.

**\*PLAYGROUND SUPERVISION REQUIRED**

FOOTING DETAIL

SCALE:  
NOT TO SCALE

DRAWN BY:  
PW CAD

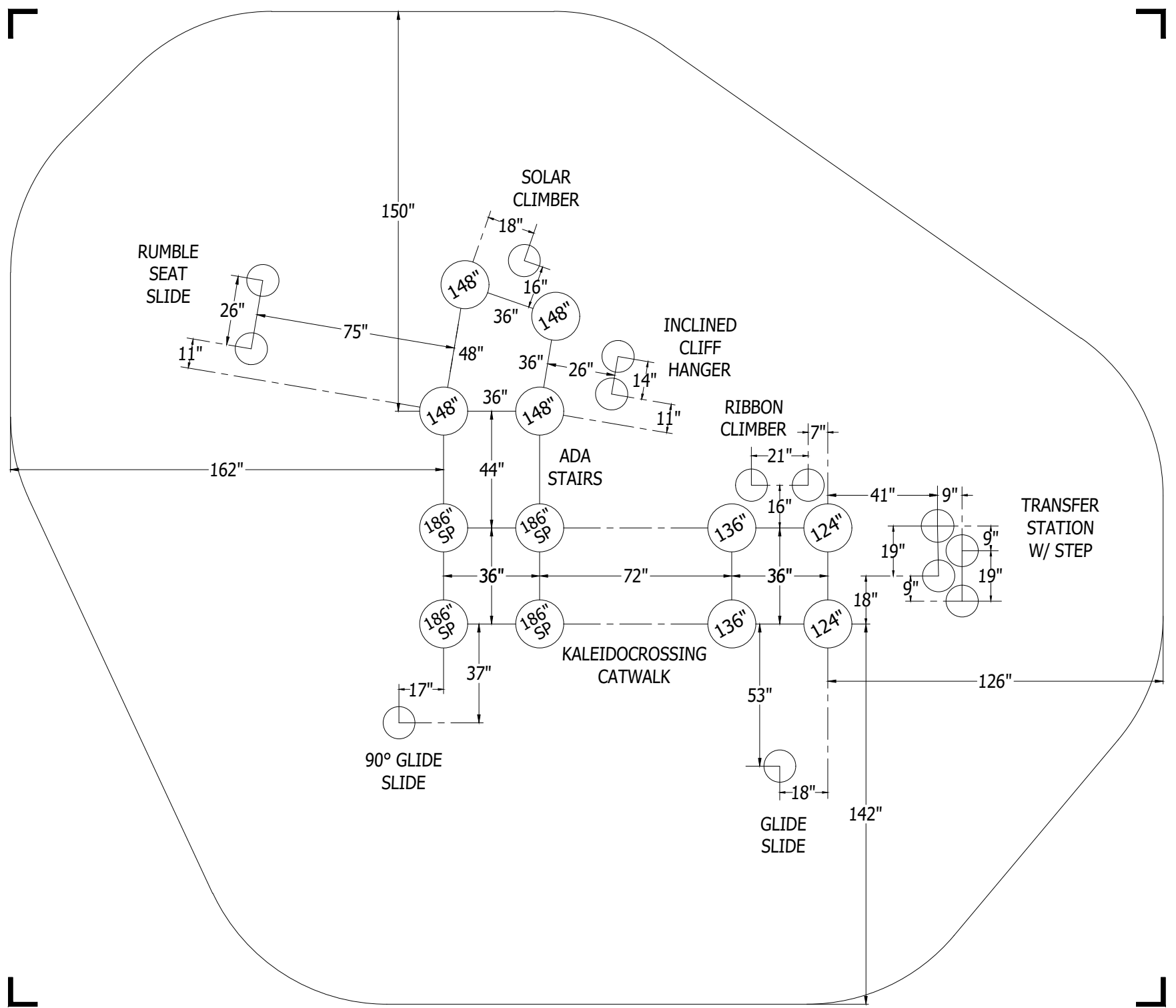
Paper Size

DATE:  
18-NOV-20

**B**

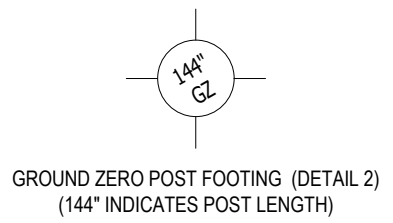
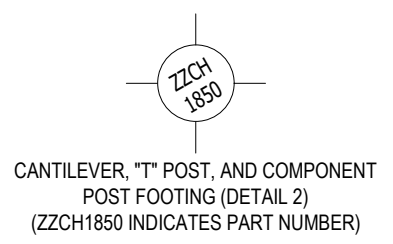
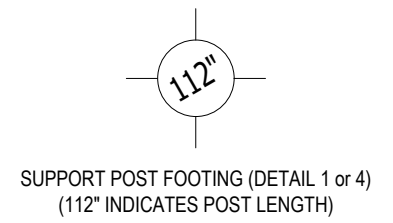
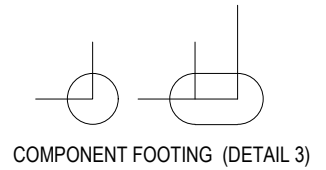
**POST FOOTING DETAILS**

PLAYMAKERS / CHALLENGERS



PLAYWORLD SYSTEMS, INC.  
 1000 Buffalo Road  
 Lewisburg, PA  
 17837-9795 USA

FOOTING LEGEND



**PRIMARY SAFARI**  
 CATALOG PRE-DESIGN

PROJECT NO: <b>350-2421</b>	SCALE: <b>1/4"=1'-0"</b>
DRAWN BY: <b>M. MERTZ</b>	Paper Size <b>B</b>
DATE: <b>25-SEPT-23</b>	

\*PLAYGROUND SUPERVISION REQUIRED