

Funhouse

IPL-1402

Equipment Manufacturer



FRONT



SIDE





Playworld Systems, Inc.
 1000 Buffalo Road
 Lewisburg, PA
 17837-9795 USA

EQUIPMENT SIZE:
3,76M x 1,35M x 2,23M

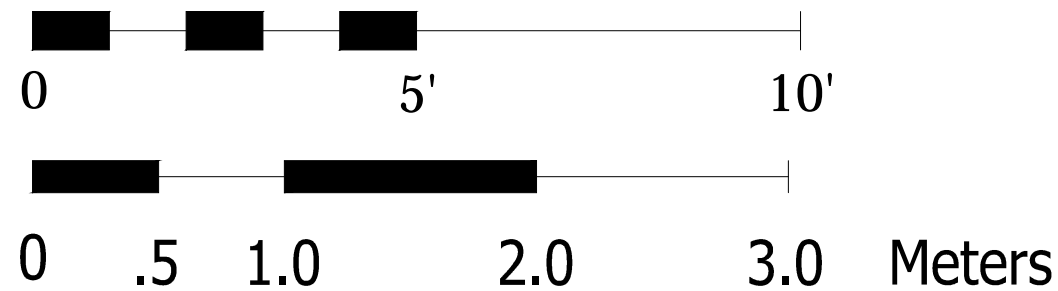
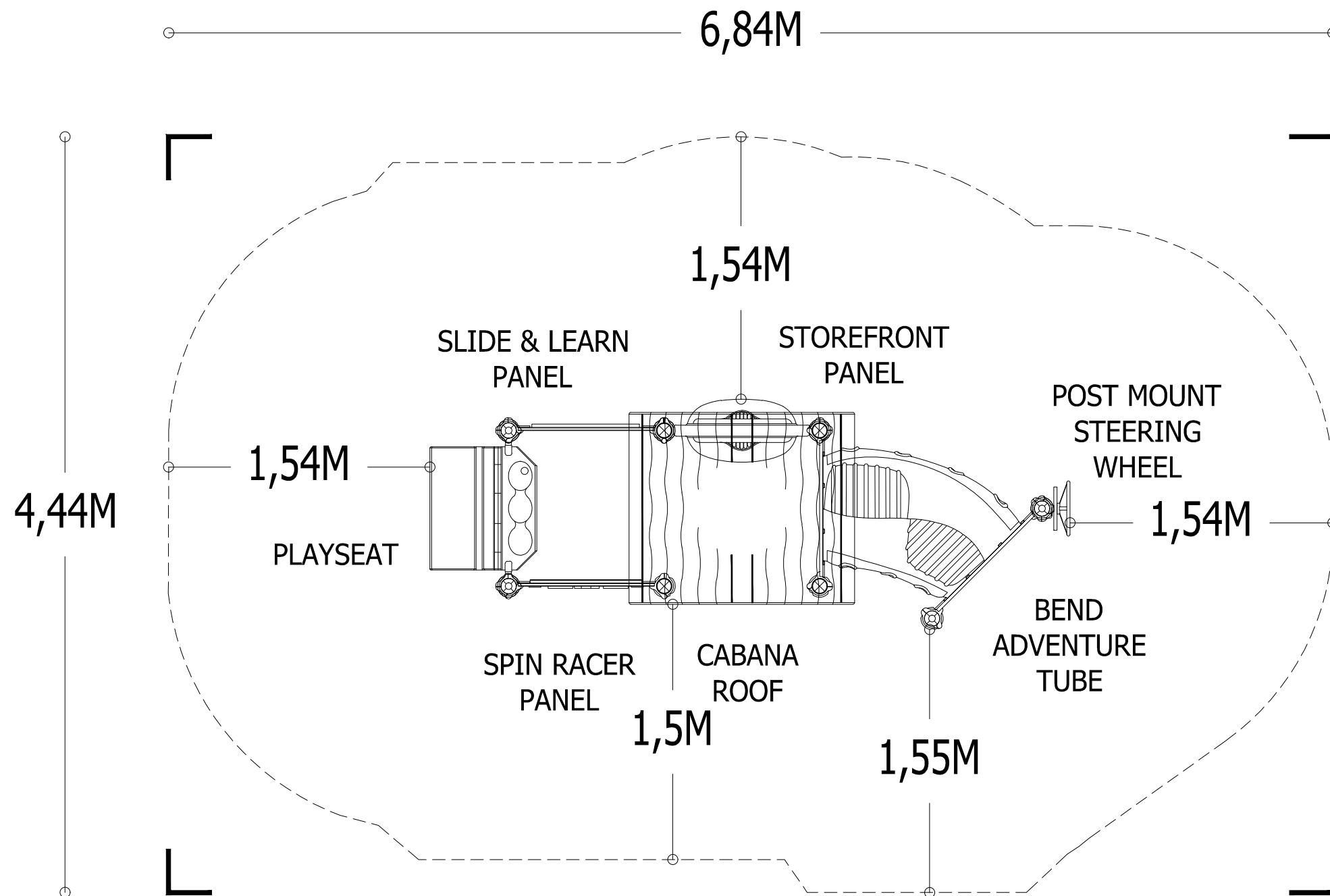
USE ZONE:
6,84M x 4,44M

AREA: **24,81 SqM.** PERIMETER: **18,82M**

FALL HEIGHT:
0,61M

USER CAPACITY: **12** AGE GROUP: **2-6**

FUNHOUSE
 INTERNATIONAL COLLECTION



✓ EN-1176



PROJECT NO:
IPL-1402B

SCALE:
1:50

DRAWN BY:
M. MERTZ

Paper Size

DATE:
11-SEP-15

A3

*PLAYGROUND SUPERVISION REQUIRED

FUNHOUSE

Design Number: IPL-1402B - Bill Of Material

Ref. No.	Part No.	Description	Quantity
Posts			
1	ZZCH0137	3.5in OD x 100in STEEL POST W/O CAP	4
2	ZZCH0356	3.50in x 88in STEEL POST w/CAP	4
Activity Panels			
3	ZZCH4290	POST MOUNTED STEERING WHEEL	1
4	ZZCH4447	SLIDE-N-LEARN PANEL (GROUND LEVEL)	1
5	ZZch4538	SPIN RACER PANEL (GROUND LEVEL)	1
6	ZZCH4570	PLAY SEAT	1
7	ZZCH4646	STORE FRONT PANEL	1
Crawl Tubes			
8	ZZCH5666	BEND ADVENTURE CRAWL TUBE (GROUND LEVEL)	1
Roofs & Arches			
9	ZZCH9846	CABANA ROOF	1
Additional Tool & Maintenance Kits			
10	ZZCHGUID	CHALLENGER GUIDELINES	1
11	ZZUN9910	SURFACING WARNING LABEL KIT	1
12	ZZUN9935	PIPE SYSTEMS MAINTENANCE KIT W/O AEROSOL	1
13	ZZXX0109	EN-1176 LABEL	1

FUNHOUSE

Design Number: IPL-1402B - Compliance and Technical Data

Reference Document: EN1176:2008

Ref. No.	Part No.	Qty.	Description	Unit EN Status	Total Weight (lbs)	Pre-Consumer Recycled Content (lbs)	Post-Consumer Content (lbs)	CO2e Footprint (kgs)	Users	Install Hours	Concrete (Yds3)	Active Play Events
1	ZZCH0137	4	3.5in OD x 100in STEEL POST W/O CAP	Certified	122.84			159	0	2.00	0.72	0
2	ZZCH0356	4	3.50in x 88in STEEL POST w/CAP	Certified	118.84			158	0	4.00	0.52	0
3	ZZCH4290	1	POST MOUNTED STEERING WHEEL	Certified	7.83			44	1	0.25	0.00	1
4	ZZCH4447	1	SLIDE-N-LEARN PANEL (GROUND LEVEL)	Certified	57.88			539	1	1.00	0.00	1
5	ZZch4538	1	SPIN RACER PANEL (GROUND LEVEL)	Certified	47.14			414	3	1.00	0.00	1
6	ZZCH4570	1	PLAY SEAT	Certified	37.65			234	2	0.50	0.00	1
7	ZZCH4646	1	STORE FRONT PANEL	Certified	33.98			243	3	1.00	0.00	1
8	ZZCH5666	1	BEND ADVENTURE CRAWL TUBE (GROUND LEVEL)	Certified	91.18			757	2	1.00	0.00	1
9	ZZCH9846	1	CABANA ROOF	Certified	76.05			390	0	0.50	0.00	0
10	ZZCHGUID	1	CHALLENGER GUIDELINES	N/A	0.00			1	0	0.25	0.00	0
11	ZZUN9910	1	SURFACING WARNING LABEL KIT	N/A	0.05			1	0	0.25	0.00	0
12	ZZUN9935	1	PIPE SYSTEMS MAINTENANCE KIT W/O AEROSOL	N/A				57				
13	ZZXX0109	1	EN-1176 LABEL	Certified	0.01			0	0	0.50	0.00	0
Totals:					593.45	99	122	2,995	12	12.25	1.24	6
					267.05 Kg	45 Kg	55 Kg	3 Metric Tons			0.94 m3	



FUNHOUSE

Design Number: IPL-1402B - Compliance and Technical Data

Reference Document: EN1176:2008

Ref. No.	Part No.	Qty.	Description	Unit EN Status	Total Weight (lbs)	Pre-Consumer Recycled Content (lbs)	Post-Consumer Content (lbs)	CO2e Footprint (kgs)	Users	Install Hours	Concrete (Yds3)	Active Play Events
----------	----------	------	-------------	----------------	--------------------	-------------------------------------	-----------------------------	----------------------	-------	---------------	-----------------	--------------------

EN1176:2008

This custom structure, drawing number IPL-1402B, has been designed to meet the general safety requirements of EN1176:2008. These requirements have been established with the consideration of the risk factor on available data. The items listed as certified have been reviewed and approved by a third party certification service. In addition to the product listing the overall layout and design of this structure, as shown in the plan, was completed in accordance with the general safety requirements of EN1176:2008.

Installation Times

Installation times are based on one experienced installer. A crew of three experienced individuals can perform the installation within the given time, each member working 1/3 of the given hours. [E.g. Installation Time = 30 hours. For a crew of three, each member will work 10 hours on the installation for a total of 30 hours on the project.]

Carbon Footprint

The CO2e (carbon footprint given in Kilograms and Metric Tons) listed above is a measure of the environmental impact this play structure represents from harvesting raw materials to the time it leaves our shipping dock. Playworld Systems nurtures a total corporate culture that is focused on eliminating carbon producing processes and products, reducing our use of precious raw materials, reusing materials whenever possible and recycling materials at every opportunity. Playworld Systems elected to adopt the Publicly Available Specification; PAS 2050 as published by the British Standards Institute and sponsored by Defra and the Carbon Trust. The PAS 2050 has gained international acceptance as a specification that measures the greenhouse gas emissions in services and goods throughout their entire life cycle.

Pre-Consumer Recycle Content

A measurement, in pounds, that qualifies the amount of material that was captured as waste and diverted from landfill during an initial manufacturing process and is being redirected to a separate manufacturing process to become a different product. E.g. 100% of our Aluminum Tubing is made from captured waste material during the manufacturing process of extruded Aluminum products such as rods, flat bars and H-channels.

Post-Consumer Recycle Content

A measurement, in pounds, that qualifies the amount of material that was once another product that has completed its lifecycle and has been diverted from a landfill as a solid waste through recycling and is now being used in a Playworld Systems' product. E.g. **20% to 40% of the steel in our steel tubing and sheet steel have been diverted from landfills. Automobiles are scrapped and recyclable steel is purchased by the steel mill that produces our raw product.

** The amount of Post-Consumer recycled steel fluctuates daily based on the availability of the recycled steel.

