

IPL-1409

International Collection

Equipment Manufacturer



IPL-1409

AGES: 3-14

PLAY EVENTS: 7

USE ZONES: 8,03m x 9,13m

WEIGHT: 631 kg

SIZE: 4,40m x 5,49m x 3,75m

CAPACITY: 26

TO INSTALL: 27.75 hours

FRONT

BACK



PLAYWORLD SYSTEMS, INC.
 1000 Buffalo Road
 Lewisburg, PA
 17837-9795 USA

EQUIPMENT SIZE:
4,4M x 5,49M x 3,75M

USE ZONE:
8,03M x 9,13M

AREA: **56,71M²** PERIMETER: **27,98M**

FALL HEIGHT:
1,53M

USER CAPACITY: **26** AGE GROUP: **3-14**

ADA SCHEDULE	Total Elevated Play Activities: 5		
	Total Ground-Level Play Activities: 2		
	Accessible Elevated Activities	Accessible Ground-Level Activities	Accessible Ground-Level Play Types
Required	3	2	2
Provided	5	2	2

EN-1176



PROJECT NO:
IPL-1409B

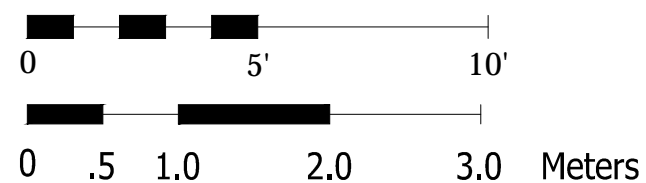
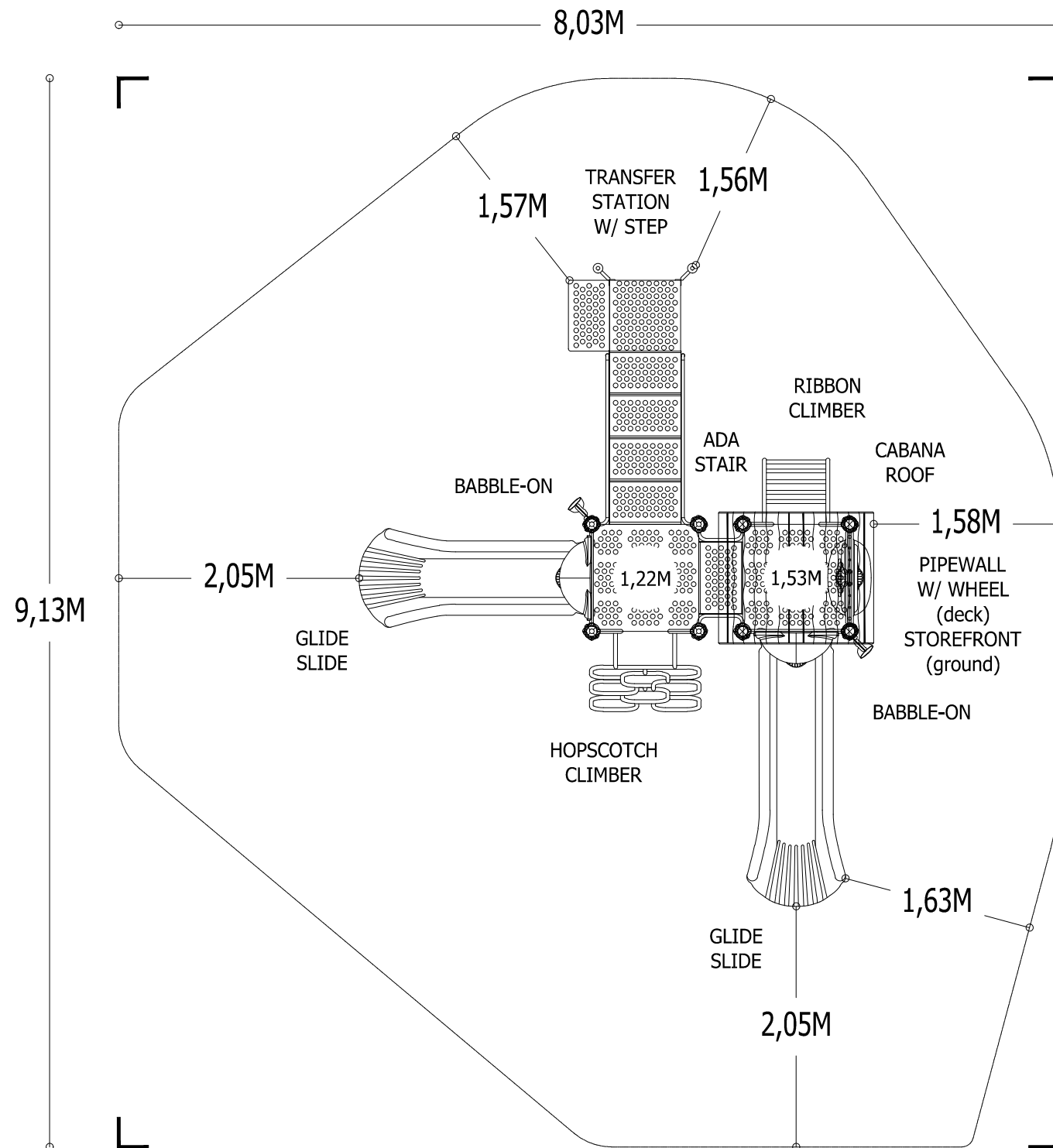
SCALE:
1:50

DRAWN BY:
I. PERKINS

Paper Size

DATE:
02-FEB-16

A3



*PLAYGROUND SUPERVISION REQUIRED

IPL-1409
 CATALOG PRE-DESIGN

IPL-1409A

Design Number: IPL-1409B - Bill Of Material

Ref. No.	Part No.	Description	Quantity
Posts			
1	ZZCH0028	3.5in OD x 136in STEEL POST W/ RIVETED CAP	4
2	ZZCH0049	3.5in OD x 160in STEEL POST W/O CAP	4
Decks & Kick Plates			
3	ZZCH0616	SQUARE COATED DECK ASSEMBLY	2
ADA Items			
4	ZZCH2027	TRANSFER STATION (48in DECK)	1
5	ZZUN2019	APPROACH STEP FOR TRANSFER STATION	1
Slides			
6	ZZCH2658	GLIDE SLIDE (60in DECK)	1
7	ZZCH3126	GLIDE SLIDE (48in DECK)	1
Activity Panels			
8	ZZCH4646	STORE FRONT PANEL	1
9	ZZUN4299	STEERING WHEEL (CH/EX PIPE WALL MOUNT FOR 4in CENTERS)	1
Barriers			
10	ZZCH4095	CENTERLINE PIPE WALL BARRIER	1
Climbers			
11	ZZCH8260	HOPSCOTCH CLIMBER (48in DECK)	1
12	ZZCH8300	RIBBON CLIMBER (60in DECK)	1
Audible Activities			
13	ZZCH4467	GROUND TO GROUND BABBLE-ON	1
Roofs & Arches			
14	ZZCH9846	CABANA ROOF	1
Stairs and Ladders			
15	ZZCH9168	12in ACCESS STEPPED PLATFORM (DECK TO DECK)	1
Additional Tool & Maintenance Kits			
16	ZZCHGUID	CHALLENGER GUIDELINES	1
17	ZZUN9910	SURFACING WARNING LABEL KIT	1
18	ZZUN9935	PIPE SYSTEMS MAINTENANCE KIT W/O AEROSOL	1
19	ZZUN9995	TOOL AND ADDITIONAL PARTS KIT W/O AEROSOL	1
20	ZZXX0049	EN & JPFA HOLE PLUG KIT FOR ECO-ARMOR (150 COUNT)	1
21	ZZXX0109	EN-1176 LABEL	1

IPL-1409A

Post/Installation: Steel-Footed

Design Number: IPL-1409B - Pricing Schedule
2016 Pricing

Ref. No.	Part No.	Qty.	Description	Unit Weight (lbs)	Unit List (US\$)	Total Weight (lbs)	Total List (US\$)
Modular Playscape:							
Posts							
1	ZZCH0028	4	3.5in OD x 136in STEEL POST W/ RIVETED CAP	43.51	175.00	174.04	700.00
2	ZZCH0049	4	3.5in OD x 160in STEEL POST W/O CAP	49.91	150.00	199.64	600.00
Decks & Kick Plates							
3	ZZCH0616	2	SQUARE COATED DECK ASSEMBLY	54.86	791.00	109.72	1,582.00
ADA Items							
4	ZZCH2027	1	TRANSFER STATION (48in DECK)	254.26	2,294.00	254.26	2,294.00
5	ZZUN2019	1	APPROACH STEP FOR TRANSFER STATION	35.83	306.00	35.83	306.00
Slides							
6	ZZCH2658	1	GLIDE SLIDE (60in DECK)	135.48	1,464.00	135.48	1,464.00
7	ZZCH3126	1	GLIDE SLIDE (48in DECK)	119.73	1,291.00	119.73	1,291.00
Activity Panels							
8	ZZCH4646	1	STORE FRONT PANEL	33.98	641.00	33.98	641.00
9	ZZUN4299	1	STEERING WHEEL (CH/EX PIPE WALL MOUNT FOR 4in CENTERS)	5.29	125.00	5.29	125.00
Barriers							
10	ZZCH4095	1	CENTERLINE PIPE WALL BARRIER	28.74	363.00	28.74	363.00
Climbers							
11	ZZCH8260	1	HOPSCOTCH CLIMBER (48in DECK)	68.5	1,073.00	68.50	1,073.00
12	ZZCH8300	1	RIBBON CLIMBER (60in DECK)	41.92	659.00	41.92	659.00
Audible Activities							
13	ZZCH4467	1	GROUND TO GROUND BABBLE-ON	43.15	705.00	43.15	705.00
Roofs & Arches							
14	ZZCH9846	1	CABANA ROOF	76.05	956.00	76.05	956.00
Stairs and Ladders							
15	ZZCH9168	1	12in ACCESS STEPPED PLATFORM (DECK TO DECK)	70.28	964.00	70.28	964.00
Additional Tool & Maintenance Kits							
16	ZZCHGUID	1	CHALLENGER GUIDELINES	0	0.00	0.00	0.00
17	ZZUN9910	1	SURFACING WARNING LABEL KIT	0.05	0.00	0.05	0.00
18	ZZUN9935	1	PIPE SYSTEMS MAINTENANCE KIT W/O AEROSOL	0	0.00	0.00	0.00
19	ZZUN9995	1	TOOL AND ADDITIONAL PARTS KIT W/O AEROSOL	0	0.00	0.00	0.00
20	ZZXX0049	1	EN & JPFA HOLE PLUG KIT FOR ECO-ARMOR (150 COUNT)	4.51	0.00	4.51	0.00
21	ZZXX0109	1	EN-1176 LABEL	0.01	0.00	0.01	0.00
Total:						1,401.18	13,723.00



IPL-1409A

Post/Installation: Steel-Footed

Design Number: IPL-1409B - Pricing Schedule
2016 Pricing

Ref. No.	Part No.	Qty.	Description	Unit Weight (lbs)	Unit List (US\$)	Total Weight (lbs)	Total List (US\$)
----------	----------	------	-------------	-------------------	------------------	--------------------	-------------------

Independent Items:

	Total:	0.00	0.00
	Grand Total:	1,401.18	13,723.00

Please Note:

1. When placing an order for this project, the drawing number is representative of the Playmakers, Challengers or Explorers playstructure only. Items listed under 'Independent Items' must be listed on your purchase order separately to be included.



IPL-1409A

Design Number: IPL-1409B - Compliance and Technical Data

Reference Document: EN1176:2008

Ref. No.	Part No.	Qty.	Description	Unit EN Status	Total Weight (lbs)	Pre-Consumer Recycled Content (lbs)	Post-Consumer Content (lbs)	CO2e Footprint (kgs)	Users	Install Hours	Concrete (Yds3)	Active Play Events
1	ZZCH0028	4	3.5in OD x 136in STEEL POST W/ RIVETED CAP	Certified	174.04			234	0	4.00	0.50	0
2	ZZCH0049	4	3.5in OD x 160in STEEL POST W/O CAP	Certified	199.64			254	0	4.00	0.50	0
3	ZZCH0616	2	SQUARE COATED DECK ASSEMBLY	Certified	109.72			348	6	2.00	0.00	0
4	ZZCH2027	1	TRANSFER STATION (48in DECK)	Certified	254.26			492	3	2.50	0.09	0
5	ZZUN2019	1	APPROACH STEP FOR TRANSFER STATION	Certified	35.83			72	1	1.00	0.04	0
6	ZZCH2658	1	GLIDE SLIDE (60in DECK)	Certified	135.48			562	2	2.00	0.03	1
7	ZZCH3126	1	GLIDE SLIDE (48in DECK)	Certified	119.73			492	3	2.00	0.03	1
8	ZZCH4646	1	STORE FRONT PANEL	Certified	33.98			243	3	1.00	0.00	1
9	ZZUN4299	1	STEERING WHEEL (CH/EX PIPE WALL MOUNT FOR 4in CENTERS)	Certified	5.29			27	1	0.25	0.00	1
10	ZZCH4095	1	CENTERLINE PIPE WALL BARRIER	Certified	28.74			71	0	0.50	0.00	0
11	ZZCH8260	1	HOPSCOTCH CLIMBER (48in DECK)	Certified	68.50			144	2	2.00	0.06	1
12	ZZCH8300	1	RIBBON CLIMBER (60in DECK)	Certified	41.92			114	2	1.50	0.06	1
13	ZZCH4467	1	GROUND TO GROUND BABBLE-ON	Certified	43.15			240	2	1.50	0.00	1
14	ZZCH9846	1	CABANA ROOF	Certified	76.05			390	0	0.50	0.00	0
15	ZZCH9168	1	12in ACCESS STEPPED PLATFORM (DECK TO DECK)	Certified	70.28			277	1	2.00	0.00	0
16	ZZCHGUID	1	CHALLENGER GUIDELINES	N/A	0.00			1	0	0.25	0.00	0
17	ZZUN9910	1	SURFACING WARNING LABEL KIT	N/A	0.05			1	0	0.25	0.00	0
18	ZZUN9935	1	PIPE SYSTEMS MAINTENANCE KIT W/O AEROSOL	N/A				57				
19	ZZUN9995	1	TOOL AND ADDITIONAL PARTS KIT W/O AEROSOL	N/A				42				
20	ZZXX0049	1	EN & JPFA HOLE PLUG KIT FOR ECO-ARMOR (150 COUNT)	Certified	4.51			158	0	0.00	0.00	0
21	ZZXX0109	1	EN-1176 LABEL	Certified	0.01			0	0	0.50	0.00	0
Totals:					1,401.18	163	362	4,216	26	27.75	1.31	7
					630.53 Kg	73 Kg	163 Kg	4 Metric Tons			1.00 m3	



IPL-1409A

Design Number: IPL-1409B - Compliance and Technical Data

Reference Document: EN1176:2008

Ref. No.	Part No.	Qty.	Description	Unit EN Status	Total Weight (lbs)	Pre-Consumer Recycled Content (lbs)	Post-Consumer Content (lbs)	CO2e Footprint (kgs)	Users	Install Hours	Concrete (Yds3)	Active Play Events
----------	----------	------	-------------	----------------	--------------------	-------------------------------------	-----------------------------	----------------------	-------	---------------	-----------------	--------------------

EN1176:2008

This custom structure, drawing number IPL-1409B, has been designed to meet the general safety requirements of EN1176:2008. These requirements have been established with the consideration of the risk factor on available data. The items listed as certified have been reviewed and approved by a third party certification service. In addition to the product listing the overall layout and design of this structure, as shown in the plan, was completed in accordance with the general safety requirements of EN1176:2008.

Installation Times

Installation times are based on one experienced installer. A crew of three experienced individuals can perform the installation within the given time, each member working 1/3 of the given hours. [E.g. Installation Time = 30 hours. For a crew of three, each member will work 10 hours on the installation for a total of 30 hours on the project.]

Carbon Footprint

The CO2e (carbon footprint given in Kilograms and Metric Tons) listed above is a measure of the environmental impact this play structure represents from harvesting raw materials to the time it leaves our shipping dock. Playworld Systems nurtures a total corporate culture that is focused on eliminating carbon producing processes and products, reducing our use of precious raw materials, reusing materials whenever possible and recycling materials at every opportunity. Playworld Systems elected to adopt the Publicly Available Specification; PAS 2050 as published by the British Standards Institute and sponsored by Defra and the Carbon Trust. The PAS 2050 has gained international acceptance as a specification that measures the greenhouse gas emissions in services and goods throughout their entire life cycle.

Pre-Consumer Recycle Content

A measurement, in pounds, that qualifies the amount of material that was captured as waste and diverted from landfill during an initial manufacturing process and is being redirected to a separate manufacturing process to become a different product. E.g. 100% of our Aluminum Tubing is made from captured waste material during the manufacturing process of extruded Aluminum products such as rods, flat bars and H-channels.

Post-Consumer Recycle Content

A measurement, in pounds, that qualifies the amount of material that was once another product that has completed its lifecycle and has been diverted from a landfill as a solid waste through recycling and is now being used in a Playworld Systems' product. E.g. **20% to 40% of the steel in our steel tubing and sheet steel have been diverted from landfills. Automobiles are scrapped and recyclable steel is purchased by the steel mill that produces our raw product.

** The amount of Post-Consumer recycled steel fluctuates daily based on the availability of the recycled steel.

