

Play Fundamentals

International Collection

Equipment Manufacturer



IPL-1417

AGES: 3-14

PLAY EVENTS: 8

USE ZONES: 10,24m x 7,93m

WEIGHT: 971kg

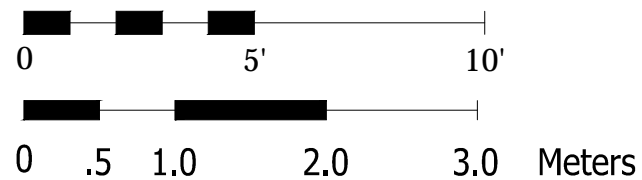
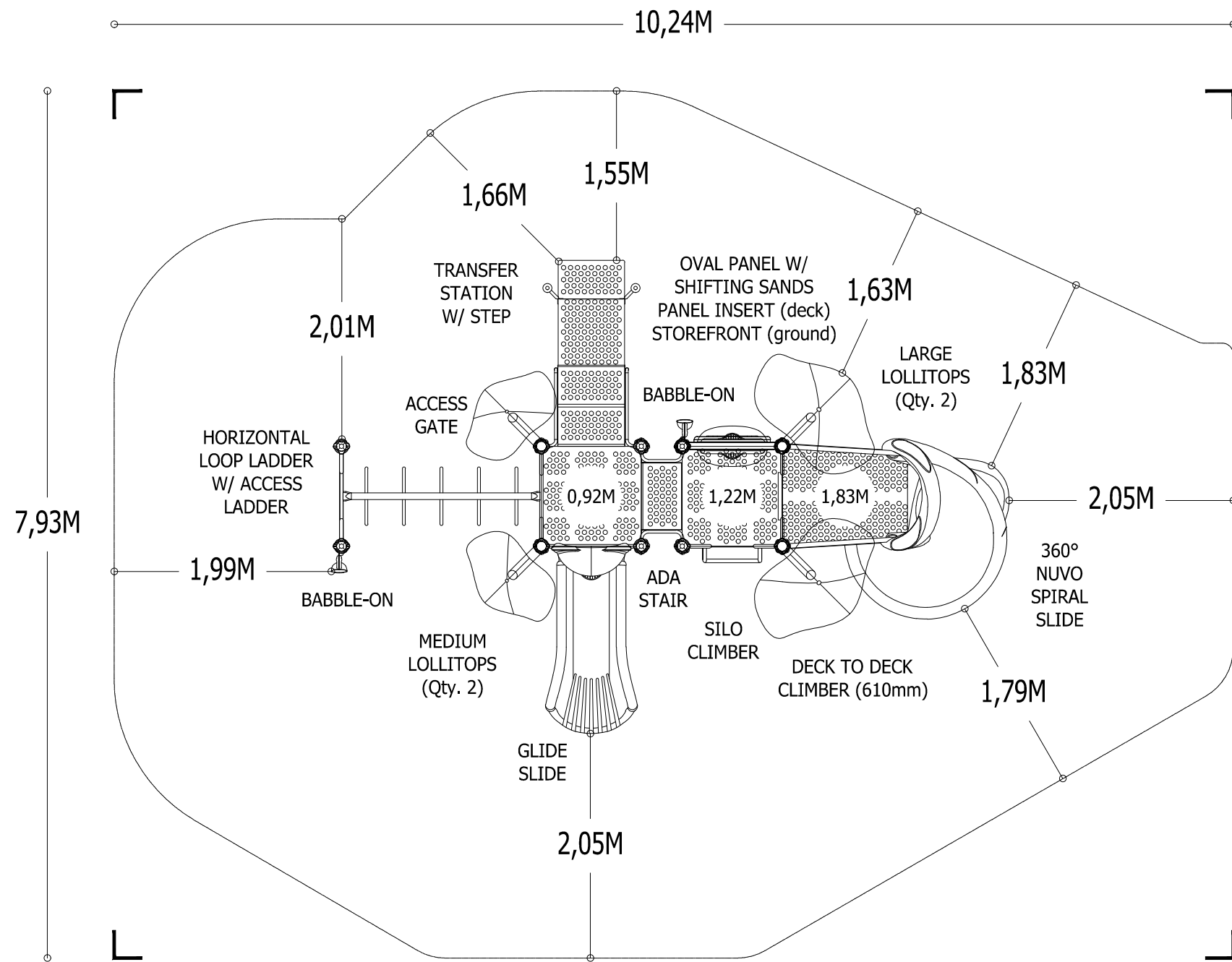
SIZE: 6,2m x 4,33m x 5,69m

CAPACITY: 28

TO INSTALL: 36.50 hours

FRONT

BACK



PLAYWORLD SYSTEMS, INC.
 1000 Buffalo Road
 Lewisburg, PA
 17837-9795 USA

EQUIPMENT SIZE:
6,2M x 4,33 x 5,69M

USE ZONE:
10,24M x 7,93M

AREA: **62,94M²** PERIMETER: **29,87M**

FALL HEIGHT:
2,2M

USER CAPACITY: **28** AGE GROUP: **3-14**

ADA SCHEDULE	Total Elevated Play Activities: 5		
	Total Ground-Level Play Activities: 2		
	Accessible Elevated Activities	Accessible Ground-Level Activities	Accessible Ground-Level Play Types
Required	3	2	2
Provided	4	2	2

EN-1176



PROJECT NO:
IPL-1417B

SCALE:
1:50

DRAWN BY:
I. PERKINS

Paper Size

DATE:
02-FEB-16

A3

*PLAYGROUND SUPERVISION REQUIRED

PROJECT NAME
 CATALOG PRE-DESIGN

IPL-1417B

Design Number: IPL-1417B - Bill Of Material

Ref. No.	Part No.	Description	Quantity
Posts			
1	ZZCH0018	3.5in OD x 124in STEEL POST W/RIVETED CAP	1
2	ZZCH0028	3.5in OD x 136in STEEL POST W/ RIVETED CAP	5
3	ZZCH0306	LOLLITOP SUPPORT POST 72in DECK	2
4	ZZCH0308	LOLLITOP SUPPORT POST 48in DECK	2
5	ZZCH0366	1ft POST EXTENSION FOOTER & CLAMP SUPPORT	2
Decks & Kick Plates			
6	ZZCH0616	SQUARE COATED DECK ASSEMBLY	2
ADA Items			
7	ZZCH2006	TRANSFER STATION (36in DECK)	1
8	ZZUN2019	APPROACH STEP FOR TRANSFER STATION	1
Slides			
9	ZZCH3127	GLIDE SLIDE (36in DECK)	1
10	ZZCH3537	SLIDE- NUVO 360 SPIRAL SLIDE	1
Activity Panels			
11	ZZCH4646	STORE FRONT PANEL	1
12	ZZCH4807	OVAL INSERT PANEL (DECK MOUNT)	1
13	ZZUN4806	SHIFTING SANDS PANEL INSERT	1
Barriers			
14	ZZCH4288	ACCESS GATE	1
Climbers			
15	ZZCH6190	24in DECK TO DECK CLIMBER	1
16	ZZCH7950	SILO CLIMBER (48in DECK)	1
Overhead Events			
17	ZZCH5780	6ft HORIZONTAL LOOP LADDER	1
18	ZZCH5970	OVERHEAD EVENT ACCESS LADDER (36in DECK)	1
Audible Activities			
19	ZZCH4467	GROUND TO GROUND BABBLE-ON	1
Roofs & Arches			
20	ZZCH9848	MEDIUM LOLLITOPS	2
21	ZZCH9849	LARGE LOLLITOPS	2
Stairs and Ladders			
22	ZZCH9168	12in ACCESS STEPPED PLATFORM (DECK TO DECK)	1
Additional Tool & Maintenance Kits			
23	ZZCHGUID	CHALLENGER GUIDELINES	1
24	ZZUN9910	SURFACING WARNING LABEL KIT	1
25	ZZUN9935	PIPE SYSTEMS MAINTENANCE KIT W/O AEROSOL	1
26	ZZUN9995	TOOL AND ADDITIONAL PARTS KIT W/O AEROSOL	1
27	ZZXX0049	EN & JPFA HOLE PLUG KIT FOR ECO-ARMOR (150 COUNT)	1
28	ZZXX0109	EN-1176 LABEL	1



IPL-1417B

Post/Installation: Steel-Footed

Design Number: IPL-1417B - Pricing Schedule
2016 Pricing

Ref. No.	Part No.	Qty.	Description	Unit Weight (lbs)	Unit List (US\$)	Total Weight (lbs)	Total List (US\$)
Modular Playscape:							
Posts							
1	ZZCH0018	1	3.5in OD x 124in STEEL POST W/RIVETED CAP	38.91	164.00	38.91	164.00
2	ZZCH0028	5	3.5in OD x 136in STEEL POST W/ RIVETED CAP	43.51	175.00	217.55	875.00
3	ZZCH0306	2	LOLLITOP SUPPORT POST 72in DECK	70.83	468.00	141.66	936.00
4	ZZCH0308	2	LOLLITOP SUPPORT POST 48in DECK	63.26	311.00	126.52	622.00
5	ZZCH0366	2	1ft POST EXTENSION FOOTER & CLAMP SUPPORT	8.52	90.00	17.04	180.00
Decks & Kick Plates							
6	ZZCH0616	2	SQUARE COATED DECK ASSEMBLY	54.86	791.00	109.72	1,582.00
ADA Items							
7	ZZCH2006	1	TRANSFER STATION (36in DECK)	145.8	1,362.00	145.80	1,362.00
8	ZZUN2019	1	APPROACH STEP FOR TRANSFER STATION	35.83	306.00	35.83	306.00
Slides							
9	ZZCH3127	1	GLIDE SLIDE (36in DECK)	99.73	1,004.00	99.73	1,004.00
10	ZZCH3537	1	SLIDE- NUVO 360 SPIRAL SLIDE	650	4,458.00	650.00	4,458.00
Activity Panels							
11	ZZCH4646	1	STORE FRONT PANEL	33.98	641.00	33.98	641.00
12	ZZCH4807	1	OVAL INSERT PANEL (DECK MOUNT)	28.16	530.00	28.16	530.00
13	ZZUN4806	1	SHIFTING SANDS PANEL INSERT	22.97	666.00	22.97	666.00
Barriers							
14	ZZCH4288	1	ACCESS GATE	17.34	278.00	17.34	278.00
Climbers							
15	ZZCH6190	1	24in DECK TO DECK CLIMBER	41.34	590.00	41.34	590.00
16	ZZCH7950	1	SILO CLIMBER (48in DECK)	74.18	767.00	74.18	767.00
Overhead Events							
17	ZZCH5780	1	6ft HORIZONTAL LOOP LADDER	55.72	565.00	55.72	565.00
18	ZZCH5970	1	OVERHEAD EVENT ACCESS LADDER (36in DECK)	25.12	368.00	25.12	368.00
Audible Activities							
19	ZZCH4467	1	GROUND TO GROUND BABBLE-ON	43.15	705.00	43.15	705.00
Roofs & Arches							
20	ZZCH9848	2	MEDIUM LOLLITOPS	29.04	352.00	58.08	704.00
21	ZZCH9849	2	LARGE LOLLITOPS	50.04	555.00	100.08	1,110.00
Stairs and Ladders							
22	ZZCH9168	1	12in ACCESS STEPPED PLATFORM (DECK TO DECK)	70.28	964.00	70.28	964.00
Additional Tool & Maintenance Kits							



IPL-1417B

Post/Installation: Steel-Footed

Design Number: IPL-1417B - Pricing Schedule
2016 Pricing

Ref. No.	Part No.	Qty.	Description	Unit Weight (lbs)	Unit List (US\$)	Total Weight (lbs)	Total List (US\$)
23	ZZCHGUID	1	CHALLENGER GUIDELINES	0	0.00	0.00	0.00
24	ZZUN9910	1	SURFACING WARNING LABEL KIT	0.05	0.00	0.05	0.00
25	ZZUN9935	1	PIPE SYSTEMS MAINTENANCE KIT W/O AEROSOL	0	0.00	0.00	0.00
26	ZZUN9995	1	TOOL AND ADDITIONAL PARTS KIT W/O AEROSOL	0	0.00	0.00	0.00
27	ZZXX0049	1	EN & JPFA HOLE PLUG KIT FOR ECO-ARMOR (150 COUNT)	4.51	0.00	4.51	0.00
28	ZZXX0109	1	EN-1176 LABEL	0.01	0.00	0.01	0.00
Total:						2,157.73	19,377.00
Independent Items:							
Total:						0.00	0.00
Grand Total:						2,157.73	19,377.00

Please Note:

1. When placing an order for this project, the drawing number is representative of the Playmakers, Challengers or Explorers playstructure only. Items listed under 'Independent Items' must be listed on your purchase order separately to be included.



IPL-1417B

Design Number: IPL-1417B - Compliance and Technical Data

Reference Document: EN1176:2008

Ref. No.	Part No.	Qty.	Description	Unit EN Status	Total Weight (lbs)	Pre-Consumer Recycled Content (lbs)	Post-Consumer Content (lbs)	CO2e Footprint (kgs)	Users	Install Hours	Concrete (Yds3)	Active Play Events
1	ZZCH0018	1	3.5in OD x 124in STEEL POST W/RIVETED CAP	Certified	38.91			54	0	1.00	0.13	0
2	ZZCH0028	5	3.5in OD x 136in STEEL POST W/ RIVETED CAP	Certified	217.55			293	0	5.00	0.63	0
3	ZZCH0306	2	LOLLITOP SUPPORT POST 72in DECK	Certified	141.66			178	0	2.00	0.26	0
4	ZZCH0308	2	LOLLITOP SUPPORT POST 48in DECK	Certified	126.52			159	0	2.00	0.26	0
5	ZZCH0366	2	1ft POST EXTENSION FOOTER & CLAMP SUPPORT	Certified	17.04			27	0	0.50	0.00	0
6	ZZCH0616	2	SQUARE COATED DECK ASSEMBLY	Certified	109.72			348	6	2.00	0.00	0
7	ZZCH2006	1	TRANSFER STATION (36in DECK)	Certified	145.80			308	2	2.00	0.09	0
8	ZZUN2019	1	APPROACH STEP FOR TRANSFER STATION	Certified	35.83			72	1	1.00	0.04	0
9	ZZCH3127	1	GLIDE SLIDE (36in DECK)	Certified	99.73			374	3	2.00	0.03	1
10	ZZCH3537	1	SLIDE- NUVO 360 SPIRAL SLIDE	Certified	650.00			1,417	2	6.00	0.15	1
11	ZZCH4646	1	STORE FRONT PANEL	Certified	33.98			243	3	1.00	0.00	1
12	ZZCH4807	1	OVAL INSERT PANEL (DECK MOUNT)	Certified	28.16			211	0	0.50	0.00	0
13	ZZUN4806	1	SHIFTING SANDS PANEL INSERT	Certified	22.97			256	1	0.50	0.00	1
14	ZZCH4288	1	ACCESS GATE	Certified	17.34			65	0	0.50	0.00	0
15	ZZCH6190	1	24in DECK TO DECK CLIMBER	Certified	41.34			145	1	1.00	0.00	1
16	ZZCH7950	1	SILO CLIMBER (48in DECK)	Certified	74.18			134	1	1.50	0.06	1
17	ZZCH5780	1	6ft HORIZONTAL LOOP LADDER	Certified	55.72			124	4	1.00	0.00	1
18	ZZCH5970	1	OVERHEAD EVENT ACCESS LADDER (36in DECK)	Certified	25.12			71	1	1.50	0.06	0
19	ZZCH4467	1	GROUND TO GROUND BABBLE-ON	Certified	43.15			240	2	1.50	0.00	1
20	ZZCH9848	2	MEDIUM LOLLITOPS	Certified	58.08			286	0	0.50	0.00	0
21	ZZCH9849	2	LARGE LOLLITOPS	Certified	100.08			452	0	0.50	0.00	0
22	ZZCH9168	1	12in ACCESS STEPPED PLATFORM (DECK TO DECK)	Certified	70.28			277	1	2.00	0.00	0
23	ZZCHGUID	1	CHALLENGER GUIDELINES	N/A	0.00			1	0	0.25	0.00	0
24	ZZUN9910	1	SURFACING WARNING LABEL KIT	N/A	0.05			1	0	0.25	0.00	0



IPL-1417B

Design Number: IPL-1417B - Compliance and Technical Data

Reference Document: EN1176:2008

Ref. No.	Part No.	Qty.	Description	Unit EN Status	Total Weight (lbs)	Pre-Consumer Recycled Content (lbs)	Post-Consumer Content (lbs)	CO2e Footprint (kgs)	Users	Install Hours	Concrete (Yds3)	Active Play Events
25	ZZUN9935	1	PIPE SYSTEMS MAINTENANCE KIT W/O AEROSOL	N/A				57				
26	ZZUN9995	1	TOOL AND ADDITIONAL PARTS KIT W/O AEROSOL	N/A				42				
27	ZZXX0049	1	EN & JPFA HOLE PLUG KIT FOR ECO-ARMOR (150 COUNT)	Certified	4.51			158	0	0.00	0.00	0
28	ZZXX0109	1	EN-1176 LABEL	Certified	0.01			0	0	0.50	0.00	0
Totals:					2,157.73	239	512	5,990	28	36.50	1.70	8
					970.98 Kg	108 Kg	230 Kg	6 Metric Tons				1.29 m3



IPL-1417B

Design Number: IPL-1417B - Compliance and Technical Data

Reference Document: EN1176:2008

Ref. No.	Part No.	Qty.	Description	Unit EN Status	Total Weight (lbs)	Pre-Consumer Recycled Content (lbs)	Post-Consumer Content (lbs)	CO2e Footprint (kgs)	Users	Install Hours	Concrete (Yds3)	Active Play Events
----------	----------	------	-------------	----------------	--------------------	-------------------------------------	-----------------------------	----------------------	-------	---------------	-----------------	--------------------

EN1176:2008

This custom structure, drawing number IPL-1417B, has been designed to meet the general safety requirements of EN1176:2008. These requirements have been established with the consideration of the risk factor on available data. The items listed as certified have been reviewed and approved by a third party certification service. In addition to the product listing the overall layout and design of this structure, as shown in the plan, was completed in accordance with the general safety requirements of EN1176:2008.

Installation Times

Installation times are based on one experienced installer. A crew of three experienced individuals can perform the installation within the given time, each member working 1/3 of the given hours. [E.g. Installation Time = 30 hours. For a crew of three, each member will work 10 hours on the installation for a total of 30 hours on the project.]

Carbon Footprint

The CO2e (carbon footprint given in Kilograms and Metric Tons) listed above is a measure of the environmental impact this play structure represents from harvesting raw materials to the time it leaves our shipping dock. Playworld Systems nurtures a total corporate culture that is focused on eliminating carbon producing processes and products, reducing our use of precious raw materials, reusing materials whenever possible and recycling materials at every opportunity. Playworld Systems elected to adopt the Publicly Available Specification; PAS 2050 as published by the British Standards Institute and sponsored by Defra and the Carbon Trust. The PAS 2050 has gained international acceptance as a specification that measures the greenhouse gas emissions in services and goods throughout their entire life cycle.

Pre-Consumer Recycle Content

A measurement, in pounds, that qualifies the amount of material that was captured as waste and diverted from landfill during an initial manufacturing process and is being redirected to a separate manufacturing process to become a different product. E.g. 100% of our Aluminum Tubing is made from captured waste material during the manufacturing process of extruded Aluminum products such as rods, flat bars and H-channels.

Post-Consumer Recycle Content

A measurement, in pounds, that qualifies the amount of material that was once another product that has completed its lifecycle and has been diverted from a landfill as a solid waste through recycling and is now being used in a Playworld Systems' product. E.g. **20% to 40% of the steel in our steel tubing and sheet steel have been diverted from landfills. Automobiles are scrapped and recyclable steel is purchased by the steel mill that produces our raw product.

** The amount of Post-Consumer recycled steel fluctuates daily based on the availability of the recycled steel.

