

Play Fundamentals

International Collection

Equipment Manufacturer



IPL-1429

AGES: 3-14

PLAY EVENTS: 3

USE ZONES: 10,09m x 7,27m

WEIGHT: 535 kg

SIZE: 6,04m x 3,60m x 4,06m

CAPACITY: 14

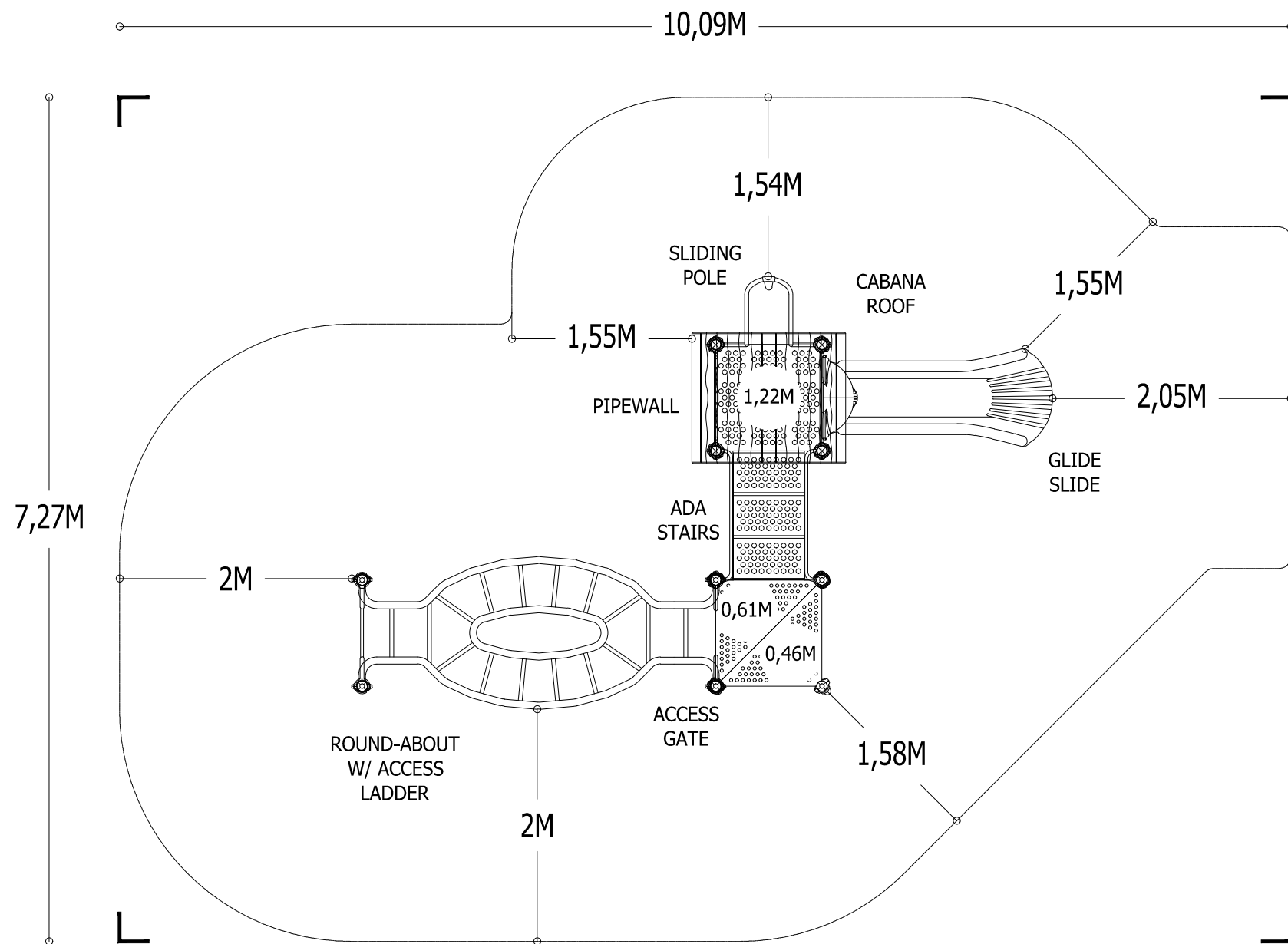
TO INSTALL: 23,75 hours



FRONT



BACK



PLAYWORLD SYSTEMS, INC.
 1000 Buffalo Road
 Lewisburg, PA
 17837-9795 USA

EQUIPMENT SIZE:
6,04M x 3,6M x 4,06M

USE ZONE:
10,09M x 7,27M

AREA: **55.12M²** PERIMETER: **29,54M**

FALL HEIGHT:
2,2M

USER CAPACITY: **14** AGE GROUP: **3-14**

EN-1176

PROJECT NO:
IPL-1429B

SCALE:
1:50

DRAWN BY:
I. PERKINS

DATE:
04-FEB-16

Paper Size
A3

*PLAYGROUND SUPERVISION REQUIRED

IPL-1429
 CATALOG PRE-DESIGN

IPL-1429B

Design Number: IPL-1429B - Bill Of Material

Ref. No.	Part No.	Description	Quantity
Posts			
1	ZZCH0009	3.5in OD x 112in STEEL POST W/RIVETED CAP	2
2	ZZCH0028	3.5in OD x 136in STEEL POST W/ RIVETED CAP	4
3	ZZCH0059	3.5in OD x 172in STEEL POST W/O CAP	4
Decks & Kick Plates			
4	ZZCH0616	SQUARE COATED DECK ASSEMBLY	1
5	ZZCH0639	45 DEGREE TRI DECK	2
6	ZZCH2517	6in KICK PLATE - 45 DEGREE TRI-DECK	1
Slides			
7	ZZCH3126	GLIDE SLIDE (48in DECK)	1
8	ZZCH8070	SLIDING POLE (48in DECK)	1
Barriers			
9	ZZCH4095	CENTERLINE PIPE WALL BARRIER	1
10	ZZCH4288	ACCESS GATE	1
Overhead Events			
11	ZZCH5960	OVERHEAD EVENT ACCESS LADDER (24in DECK)	1
12	ZZCH6966	10ft ROUNDABOUT HORIZONTAL LADDER	1
Roofs & Arches			
13	ZZCH9846	CABANA ROOF	1
Stairs and Ladders			
14	ZZCH9170	24in ACCESS STEPPED PLATFORM (DECK TO DECK)	1
Additional Tool & Maintenance Kits			
15	ZZCHGUID	CHALLENGER GUIDELINES	1
16	ZZUN9910	SURFACING WARNING LABEL KIT	1
17	ZZUN9935	PIPE SYSTEMS MAINTENANCE KIT W/O AEROSOL	1
18	ZZUN9995	TOOL AND ADDITIONAL PARTS KIT W/O AEROSOL	1
19	ZZXX0049	EN & JPFA HOLE PLUG KIT FOR ECO-ARMOR (150 COUNT)	1
20	ZZXX0109	EN-1176 LABEL	1

IPL-1429B

Design Number: IPL-1429B - Compliance and Technical Data

Reference Document: EN1176:2008

Ref. No.	Part No.	Qty.	Description	Unit EN Status	Total Weight (lbs)	Pre-Consumer Recycled (lbs)	Post-Consumer Content (lbs)	CO2e Footprint (kgs)	Users	Install Hours	Concrete (Yds3)	Active Play Events
1	ZZCH0009	2	3.5in OD x 112in STEEL POST W/RIVETED CAP	Certified	70.80			98	0	2.00	0.25	0
2	ZZCH0028	4	3.5in OD x 136in STEEL POST W/ RIVETED CAP	Certified	174.04			234	0	4.00	0.50	0
3	ZZCH0059	4	3.5in OD x 172in STEEL POST W/O CAP	Certified	206.44			273	0	4.00	0.50	0
4	ZZCH0616	1	SQUARE COATED DECK ASSEMBLY	Certified	54.86			174	3	1.00	0.00	0
5	ZZCH0639	2	45 DEGREE TRI DECK	Certified	73.80			290	2	2.00	0.00	0
6	ZZCH2517	1	6in KICK PLATE - 45 DEGREE TRI-DECK	Certified	6.99			15	0	0.25	0.00	0
7	ZZCH3126	1	GLIDE SLIDE (48in DECK)	Certified	119.73			492	3	2.00	0.03	1
8	ZZCH8070	1	SLIDING POLE (48in DECK)	Certified	56.43			156	1	1.50	0.03	1
9	ZZCH4095	1	CENTERLINE PIPE WALL BARRIER	Certified	28.74			71	0	0.50	0.00	0
10	ZZCH4288	1	ACCESS GATE	Certified	17.34			65	0	0.50	0.00	0
11	ZZCH5960	1	OVERHEAD EVENT ACCESS LADDER (24in DECK)	Certified	23.52			69	1	1.50	0.06	0
12	ZZCH6966	1	10ft ROUNDABOUT HORIZONTAL LADDER	Certified	139.10			298	3	1.00	0.00	1
13	ZZCH9846	1	CABANA ROOF	Certified	76.05			390	0	0.50	0.00	0
14	ZZCH9170	1	24in ACCESS STEPPED PLATFORM (DECK TO DECK)	Certified	135.24			296	1	2.00	0.00	0
15	ZZCHGUID	1	CHALLENGER GUIDELINES	N/A	0.00			1	0	0.25	0.00	0
16	ZZUN9910	1	SURFACING WARNING LABEL KIT	N/A	0.05			1	0	0.25	0.00	0
17	ZZUN9935	1	PIPE SYSTEMS MAINTENANCE KIT W/O AEROSOL	N/A				57				
18	ZZUN9995	1	TOOL AND ADDITIONAL PARTS KIT W/O AEROSOL	N/A				42				
19	ZZXX0049	1	EN & JPFA HOLE PLUG KIT FOR ECO-ARMOR (150 COUNT)	Certified	4.51			158	0	0.00	0.00	0
20	ZZXX0109	1	EN-1176 LABEL	Certified	0.01			0	0	0.50	0.00	0
Totals:					1,187.65	170	366	3,179	14	23.75	1.37	3
					534.44 Kg	77 Kg	165 Kg	3 Metric Tons			1.04 m3	



IPL-1429B

Design Number: IPL-1429B - Compliance and Technical Data

Reference Document: EN1176:2008

Ref. No.	Part No.	Qty.	Description	Unit EN Status	Total Weight (lbs)	Pre-Consumer Recycled Content (lbs)	Post-Consumer Content (lbs)	CO2e Footprint (kgs)	Users	Install Hours	Concrete (Yds3)	Active Play Events
----------	----------	------	-------------	----------------	--------------------	-------------------------------------	-----------------------------	----------------------	-------	---------------	-----------------	--------------------

EN1176:2008

This custom structure, drawing number IPL-1429B, has been designed to meet the general safety requirements of EN1176:2008. These requirements have been established with the consideration of the risk factor on available data. The items listed as certified have been reviewed and approved by a third party certification service. In addition to the product listing the overall layout and design of this structure, as shown in the plan, was completed in accordance with the general safety requirements of EN1176:2008.

Installation Times

Installation times are based on one experienced installer. A crew of three experienced individuals can perform the installation within the given time, each member working 1/3 of the given hours. [E.g. Installation Time = 30 hours. For a crew of three, each member will work 10 hours on the installation for a total of 30 hours on the project.]

Carbon Footprint

The CO2e (carbon footprint given in Kilograms and Metric Tons) listed above is a measure of the environmental impact this play structure represents from harvesting raw materials to the time it leaves our shipping dock. Playworld Systems nurtures a total corporate culture that is focused on eliminating carbon producing processes and products, reducing our use of precious raw materials, reusing materials whenever possible and recycling materials at every opportunity. Playworld Systems elected to adopt the Publicly Available Specification; PAS 2050 as published by the British Standards Institute and sponsored by Defra and the Carbon Trust. The PAS 2050 has gained international acceptance as a specification that measures the greenhouse gas emissions in services and goods throughout their entire life cycle.

Pre-Consumer Recycle Content

A measurement, in pounds, that qualifies the amount of material that was captured as waste and diverted from landfill during an initial manufacturing process and is being redirected to a separate manufacturing process to become a different product. E.g. 100% of our Aluminum Tubing is made from captured waste material during the manufacturing process of extruded Aluminum products such as rods, flat bars and H-channels.

Post-Consumer Recycle Content

A measurement, in pounds, that qualifies the amount of material that was once another product that has completed its lifecycle and has been diverted from a landfill as a solid waste through recycling and is now being used in a Playworld Systems' product. E.g. **20% to 40% of the steel in our steel tubing and sheet steel have been diverted from landfills. Automobiles are scrapped and recyclable steel is purchased by the steel mill that produces our raw product.

** The amount of Post-Consumer recycled steel fluctuates daily based on the availability of the recycled steel.

