

Releve

IPL-1502

Equipment Manufacturer



FRONT



SIDE





Playworld Systems, Inc.
 1000 Buffalo Road
 Lewisburg, PA
 17837-9795 USA

EQUIPMENT SIZE:
6,58M x 4,57M x 4,14M

USE ZONE:
10,13M x 8,28M

AREA: **55,40 SqM** PERIMETER: **32,20 M**

FALL HEIGHT:
1,22M

USER CAPACITY: **26** AGE GROUP: **2-6**

ADA SCHEDULE	Total Elevated Play Activities: 6		
	Total Ground-Level Play Activities: 2		
	Accessible Elevated Activities	Accessible Ground-Level Activities	Accessible Ground-Level Play Types
Required	3	2	2
Provided	6	2	2

✓ EN-1176



PROJECT NO:
IPL-1502A

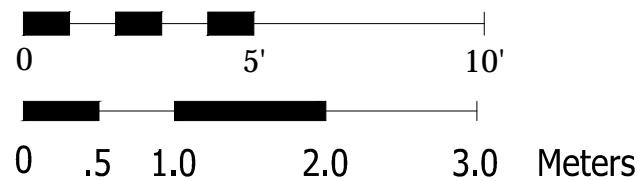
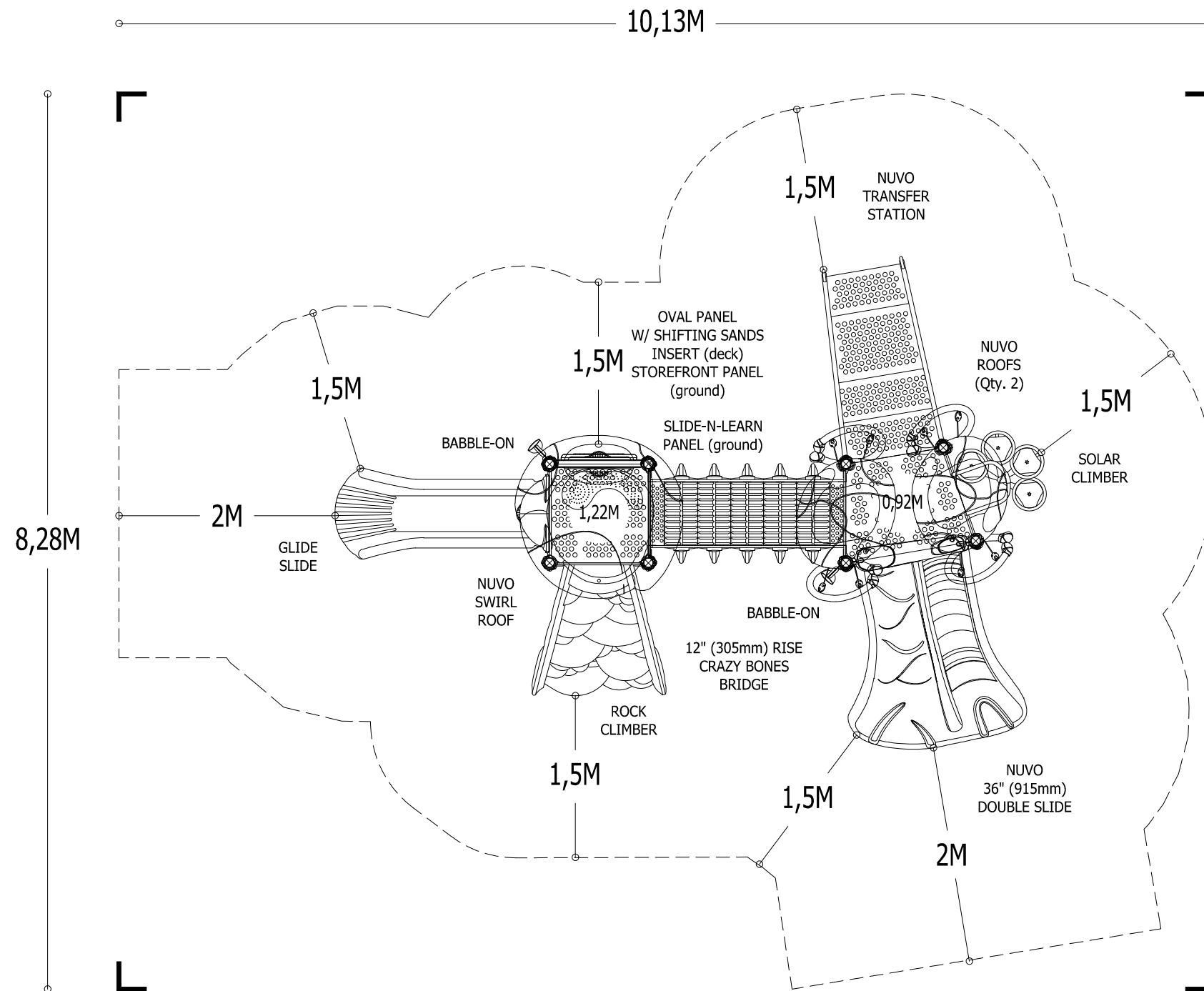
SCALE:
1:50

DRAWN BY:
J. KAZAKAVAGE

Paper Size

DATE:
11-SEP-15

A3



*PLAYGROUND SUPERVISION REQUIRED

RELEVE
INTERNATIONAL COLLECTION

Releve

Design Number: IPL-1502A - Bill Of Material

Ref. No.	Part No.	Description	Quantity
Posts			
1	ZZCH0059	3.5in OD x 172in STEEL POST W/O CAP	4
2	ZZCH0216	3.5in OD x 144in SWAGED STEEL POST	2
3	ZZCH0217	3.5in OD x 156in SWAGED STEEL POST	2
Decks & Kick Plates			
4	ZZCH0616	SQUARE COATED DECK ASSEMBLY	1
5	ZZCH0636	DOUBLE SLIDE COATED DECK ASSEMBLY	1
ADA Items			
6	ZZCH0679	NUVO- 36in TRANSFER STATION	1
Slides			
7	ZZCH3126	GLIDE SLIDE (48in DECK)	1
8	ZZCH3538	NUVO 36in DOUBLE SLIDE	1
Activity Panels			
9	ZZCH4447	SLIDE-N-LEARN PANEL (GROUND LEVEL)	1
10	ZZCH4646	STORE FRONT PANEL	1
11	ZZCH4807	OVAL INSERT PANEL (DECK MOUNT)	1
12	ZZUN4806	SHIFTING SANDS PANEL INSERT	1
Climbers			
13	ZZCH7439	ROCK CLIMBER (48in DECK)	1
14	ZZCH7657	SOLAR CLIMBER (36in & 30in DECK)	1
Bridges			
15	ZZCH6478	CRAZY BONES 6ft x 1ft RISE BRIDGE	1
Audible Activities			
16	ZZCH4467	GROUND TO GROUND BABBLE-ON	1
Roofs & Arches			
17	ZZCH9867	NUVO ROOF	2
18	ZZCH9868	NUVO SWIRL ROOF	1
Additional Tool & Maintenance Kits			
19	ZZCHGUID	CHALLENGER GUIDELINES	1
20	ZZUN9910	SURFACING WARNING LABEL KIT	1
21	ZZUN9935	PIPE SYSTEMS MAINTENANCE KIT W/O AEROSOL	1
22	ZZXX0049	EN & JPFA HOLE PLUG KIT FOR ECO-ARMOR (150 COUNT)	1
23	ZZXX0109	EN-1176 LABEL	1

Releve

Design Number: IPL-1502A - Compliance and Technical Data

Reference Document: EN1176:2008

Ref. No.	Part No.	Qty.	Description	Unit EN Status	Total Weight (lbs)	Pre-Consumer Recycled (lbs)	Post-Consumer Content (lbs)	CO2e Footprint (kgs)	Users	Install Hours	Concrete (Yds3)	Active Play Events
1	ZZCH0059	4	3.5in OD x 172in STEEL POST W/O CAP	Certified	206.44			273	0	4.00	0.50	0
2	ZZCH0216	2	3.5in OD x 144in SWAGED STEEL POST	Certified	152.82			117	0	1.00	0.25	0
3	ZZCH0217	2	3.5in OD x 156in SWAGED STEEL POST	Certified	157.62			127	0	1.00	0.25	0
4	ZZCH0616	1	SQUARE COATED DECK ASSEMBLY	Certified	54.86			174	3	1.00	0.00	0
5	ZZCH0636	1	DOUBLE SLIDE COATED DECK ASSEMBLY	Certified	63.86			185	3	1.00	0.00	0
6	ZZCH0679	1	NUVO- 36in TRANSFER STATION	Certified	239.72			418	2	3.50	0.12	0
7	ZZCH3126	1	GLIDE SLIDE (48in DECK)	Certified	119.73			492	3	2.00	0.03	1
8	ZZCH3538	1	NUVO 36in DOUBLE SLIDE	Certified	157.29			683	2	2.00	0.06	1
9	ZZCH4447	1	SLIDE-N-LEARN PANEL (GROUND LEVEL)	Certified	57.88			539	1	1.00	0.00	1
10	ZZCH4646	1	STORE FRONT PANEL	Certified	33.98			243	3	1.00	0.00	1
11	ZZCH4807	1	OVAL INSERT PANEL (DECK MOUNT)	Certified	28.16			211	0	0.50	0.00	0
12	ZZUN4806	1	SHIFTING SANDS PANEL INSERT	Certified	22.97			256	1	0.50	0.00	1
13	ZZCH7439	1	ROCK CLIMBER (48in DECK)	Certified	136.38			555	3	2.00	0.03	1
14	ZZCH7657	1	SOLAR CLIMBER (36in & 30in DECK)	Certified	79.63			236	2	1.50	0.03	1
15	ZZCH6478	1	CRAZY BONES 6ft x 1ft RISE BRIDGE	Certified	292.40			1,964	2	4.00	0.00	1
16	ZZCH4467	1	GROUND TO GROUND BABBLE-ON	Certified	43.15			240	2	1.50	0.00	1
17	ZZCH9867	2	NUVO ROOF	Certified	169.50			1,187	0	4.00	0.00	0
18	ZZCH9868	1	NUVO SWIRL ROOF	Certified	80.33			482	0	1.00	0.00	0
19	ZZCHGUID	1	CHALLENGER GUIDELINES	N/A	0.00			1	0	0.25	0.00	0
20	ZZUN9910	1	SURFACING WARNING LABEL KIT	N/A	0.05			1	0	0.25	0.00	0
21	ZZUN9935	1	PIPE SYSTEMS MAINTENANCE KIT W/O AEROSOL	N/A				57				
22	ZZXX0049	1	EN & JPFA HOLE PLUG KIT FOR ECO-ARMOR (150 COUNT)	Certified	4.51			158	0	0.00	0.00	0
23	ZZXX0109	1	EN-1176 LABEL	Certified	0.01			0	0	0.50	0.00	0
Totals:					2,101.29	265	413	8,596	27	33.50	1.27	9
					945.58 Kg	119 Kg	186 Kg	9 Metric Tons			0.97 m3	



Releve

Design Number: IPL-1502A - Compliance and Technical Data

Reference Document: EN1176:2008

Ref. No.	Part No.	Qty.	Description	Unit EN Status	Total Weight (lbs)	Pre-Consumer Recycled Content (lbs)	Post-Consumer Content (lbs)	CO2e Footprint (kgs)	Users	Install Hours	Concrete (Yds3)	Active Play Events
----------	----------	------	-------------	----------------	--------------------	-------------------------------------	-----------------------------	----------------------	-------	---------------	-----------------	--------------------

EN1176:2008

This custom structure, drawing number IPL-1502A, has been designed to meet the general safety requirements of EN1176:2008. These requirements have been established with the consideration of the risk factor on available data. The items listed as certified have been reviewed and approved by a third party certification service. In addition to the product listing the overall layout and design of this structure, as shown in the plan, was completed in accordance with the general safety requirements of EN1176:2008.

Installation Times

Installation times are based on one experienced installer. A crew of three experienced individuals can perform the installation within the given time, each member working 1/3 of the given hours. [E.g. Installation Time = 30 hours. For a crew of three, each member will work 10 hours on the installation for a total of 30 hours on the project.]

Carbon Footprint

The CO2e (carbon footprint given in Kilograms and Metric Tons) listed above is a measure of the environmental impact this play structure represents from harvesting raw materials to the time it leaves our shipping dock. Playworld Systems nurtures a total corporate culture that is focused on eliminating carbon producing processes and products, reducing our use of precious raw materials, reusing materials whenever possible and recycling materials at every opportunity. Playworld Systems elected to adopt the Publicly Available Specification; PAS 2050 as published by the British Standards Institute and sponsored by Defra and the Carbon Trust. The PAS 2050 has gained international acceptance as a specification that measures the greenhouse gas emissions in services and goods throughout their entire life cycle.

Pre-Consumer Recycle Content

A measurement, in pounds, that qualifies the amount of material that was captured as waste and diverted from landfill during an initial manufacturing process and is being redirected to a separate manufacturing process to become a different product. E.g. 100% of our Aluminum Tubing is made from captured waste material during the manufacturing process of extruded Aluminum products such as rods, flat bars and H-channels.

Post-Consumer Recycle Content

A measurement, in pounds, that qualifies the amount of material that was once another product that has completed its lifecycle and has been diverted from a landfill as a solid waste through recycling and is now being used in a Playworld Systems' product. E.g. **20% to 40% of the steel in our steel tubing and sheet steel have been diverted from landfills. Automobiles are scrapped and recyclable steel is purchased by the steel mill that produces our raw product.

** The amount of Post-Consumer recycled steel fluctuates daily based on the availability of the recycled steel.

