

Zaha

IPL-1514

Equipment Manufacturer



FRONT



SIDE





Playworld Systems, Inc.
 1000 Buffalo Road
 Lewisburg, PA
 17837-9795 USA

EQUIPMENT SIZE:
8,72M x 5,08M x 4,52M

USE ZONE:
12,37M x 8,61M

AREA: **66,56 SqM** PERIMETER: **39,62M**

FALL HEIGHT:
2,11M

USER CAPACITY: **18** AGE GROUP: **6-14**

ADA SCHEDULE	Total Elevated Play Activities: 6		
	Total Ground-Level Play Activities: 2		
	Accessible Elevated Activities	Accessible Ground-Level Activities	Accessible Ground-Level Play Types
Required	3	2	2
Provided	3	2	2

✓ EN-1176



PROJECT NO:
IPL-1514A

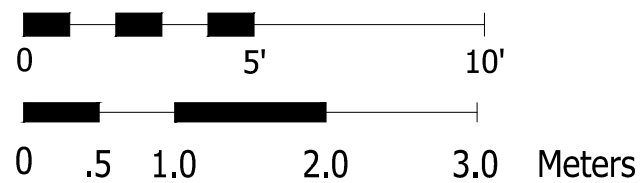
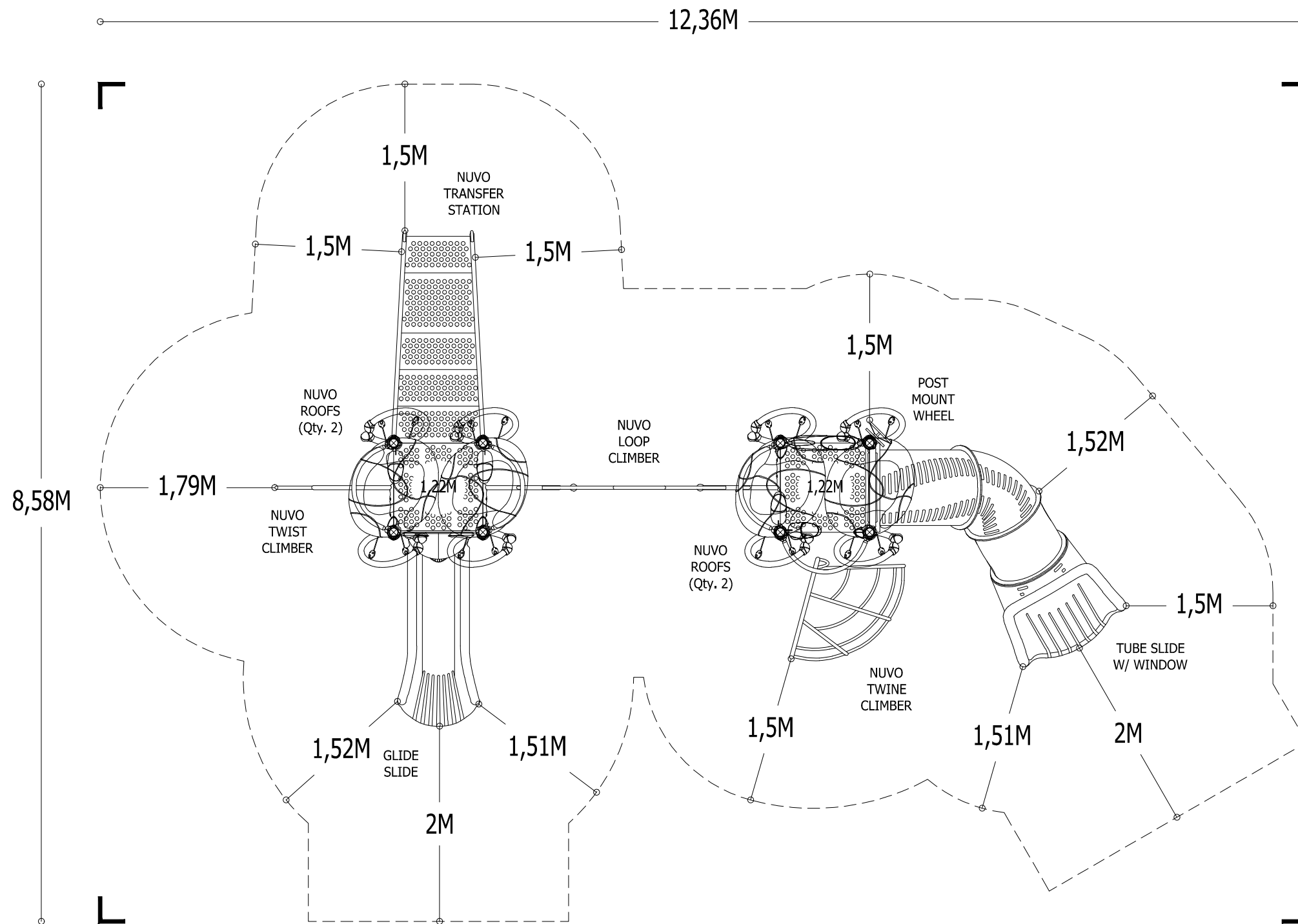
SCALE:
1:50

DRAWN BY:
J. KAZAKAVAGE

Paper Size

DATE:
11-SEP-15

A3



*PLAYGROUND SUPERVISION REQUIRED

ZAHA
 INTERNATIONAL COLLECTION

Zaha

Design Number: IPL-1514A - Bill Of Material

Ref. No.	Part No.	Description	Quantity
Posts			
1	ZZCH0237	3.5in OD x 168in SWAGED STEEL POST	4
2	ZZCH0239	3.5in OD x 180in SWAGED STEEL POST	4
Decks & Kick Plates			
3	ZZCH0616	SQUARE COATED DECK ASSEMBLY	2
ADA Items			
4	ZZCH0678	NUVO- 48in TRANSFER STATION	1
Slides			
5	ZZCH3006	30in ROUND TUBE SLIDE ENTRANCE/EXIT	1
6	ZZCH3126	GLIDE SLIDE (48in DECK)	1
7	ZZUN3009	30in ROUND RIGHT TUBE SECTION	1
8	ZZUN3037	ROUND TUBE SLIDE SUPPORT LEG 2ft	1
9	ZZUN3038	30in ROUND STRAIGHT TUBE SECTION W/ WINDOW	1
Activity Panels			
10	ZZCH4290	POST MOUNTED STEERING WHEEL	1
11	ZZCH4836	NUVO ACTIVITY PANEL	2
12	ZZUN4868	NUVO - GEAR PANEL INSERT	1
13	ZZUN4869	NUVO - BALL MAZE PANEL INSERT	1
Climbers			
14	ZZCH6957	NUVO LOOP CLIMBER	1
15	ZZCH7037	48in TWINE CLIMBER	1
16	ZZCH7047	48in TWIST CLIMBER	1
Roofs & Arches			
17	ZZCH9867	NUVO ROOF	4
Additional Tool & Maintenance Kits			
18	ZZCHGUID	CHALLENGER GUIDELINES	1
19	ZZUN9910	SURFACING WARNING LABEL KIT	1
20	ZZUN9935	PIPE SYSTEMS MAINTENANCE KIT W/O AEROSOL	1
21	ZZXX0049	EN & JPFA HOLE PLUG KIT FOR ECO-ARMOR (150 COUNT)	1
22	ZZXX0109	EN-1176 LABEL	1

Zaha

Design Number: IPL-1514A - Compliance and Technical Data

Reference Document: EN1176:2008

Ref. No.	Part No.	Qty.	Description	Unit EN Status	Total Weight (lbs)	Pre-Consumer Recycled Content (lbs)	Post-Consumer Content (lbs)	CO2e Footprint (kgs)	Users	Install Hours	Concrete (Yds3)	Active Play Events
1	ZZCH0237	4	3.5in OD x 168in SWAGED STEEL POST	Certified	206.44			273	0	2.00	0.50	0
2	ZZCH0239	4	3.5in OD x 180in SWAGED STEEL POST	Certified	238.84			292	0	2.00	0.50	0
3	ZZCH0616	2	SQUARE COATED DECK ASSEMBLY	Certified	109.72			348	6	2.00	0.00	0
4	ZZCH0678	1	NUVO- 48in TRANSFER STATION	Certified	299.54			563	3	3.50	0.12	0
5	ZZCH3006	1	30in ROUND TUBE SLIDE ENTRANCE/EXIT	Certified	145.10			847	2	2.00	0.03	1
6	ZZCH3126	1	GLIDE SLIDE (48in DECK)	Certified	119.73			492	3	2.00	0.03	1
7	ZZUN3009	1	30in ROUND RIGHT TUBE SECTION	Certified	26.02			181	0	0.25	0.00	0
8	ZZUN3037	1	ROUND TUBE SLIDE SUPPORT LEG 2ft	N/A	15.40			46	0	0.50	0.03	0
9	ZZUN3038	1	30in ROUND STRAIGHT TUBE SECTION W/ WINDOW	Certified	32.33			578		0.25	0.00	1
10	ZZCH4290	1	POST MOUNTED STEERING WHEEL	Certified	7.83			44	1	0.25	0.00	1
11	ZZCH4836	2	NUVO ACTIVITY PANEL	Certified	39.16			465	0	1.00	0.00	0
12	ZZUN4868	1	NUVO - GEAR PANEL INSERT	Certified	24.14			375	1	0.50	0.00	1
13	ZZUN4869	1	NUVO - BALL MAZE PANEL INSERT	Certified	21.69			145	1	0.50	0.00	1
14	ZZCH6957	1	NUVO LOOP CLIMBER	N/A	157.88			1,047	2	2.00	0.00	1
15	ZZCH7037	1	48in TWINE CLIMBER	Certified	88.96			395	1	4.00	0.12	1
16	ZZCH7047	1	48in TWIST CLIMBER	Certified	96.81			598	1	1.50	0.03	1
17	ZZCH9867	4	NUVO ROOF	Certified	339.00			2,375	0	8.00	0.00	0
18	ZZCHGUID	1	CHALLENGER GUIDELINES	N/A	0.00			1	0	0.25	0.00	0
19	ZZUN9910	1	SURFACING WARNING LABEL KIT	N/A	0.05			1	0	0.25	0.00	0
20	ZZUN9935	1	PIPE SYSTEMS MAINTENANCE KIT W/O AEROSOL	N/A				57				
21	ZZXX0049	1	EN & JPFA HOLE PLUG KIT FOR ECO-ARMOR (150 COUNT)	Certified	4.51			158	0	0.00	0.00	0
22	ZZXX0109	1	EN-1176 LABEL	Certified	0.01			0	0	0.50	0.00	0
Totals:					1,973.16	287	522	9,278	21	33.25	1.36	9
					887.92 Kg	129 Kg	235 Kg	9 Metric Tons			1.03 m3	



Zaha

Design Number: IPL-1514A - Compliance and Technical Data

Reference Document: EN1176:2008

Ref. No.	Part No.	Qty.	Description	Unit EN Status	Total Weight (lbs)	Pre-Consumer Recycled Content (lbs)	Post-Consumer Content (lbs)	CO2e Footprint (kgs)	Users	Install Hours	Concrete (Yds3)	Active Play Events
----------	----------	------	-------------	----------------	--------------------	-------------------------------------	-----------------------------	----------------------	-------	---------------	-----------------	--------------------

EN1176:2008

This custom structure, drawing number IPL-1514A, has been designed to meet the general safety requirements of EN1176:2008. These requirements have been established with the consideration of the risk factor on available data. The items listed as certified have been reviewed and approved by a third party certification service. In addition to the product listing the overall layout and design of this structure, as shown in the plan, was completed in accordance with the general safety requirements of EN1176:2008.

Installation Times

Installation times are based on one experienced installer. A crew of three experienced individuals can perform the installation within the given time, each member working 1/3 of the given hours. [E.g. Installation Time = 30 hours. For a crew of three, each member will work 10 hours on the installation for a total of 30 hours on the project.]

Carbon Footprint

The CO2e (carbon footprint given in Kilograms and Metric Tons) listed above is a measure of the environmental impact this play structure represents from harvesting raw materials to the time it leaves our shipping dock. Playworld Systems nurtures a total corporate culture that is focused on eliminating carbon producing processes and products, reducing our use of precious raw materials, reusing materials whenever possible and recycling materials at every opportunity. Playworld Systems elected to adopt the Publicly Available Specification; PAS 2050 as published by the British Standards Institute and sponsored by Defra and the Carbon Trust. The PAS 2050 has gained international acceptance as a specification that measures the greenhouse gas emissions in services and goods throughout their entire life cycle.

Pre-Consumer Recycle Content

A measurement, in pounds, that qualifies the amount of material that was captured as waste and diverted from landfill during an initial manufacturing process and is being redirected to a separate manufacturing process to become a different product. E.g. 100% of our Aluminum Tubing is made from captured waste material during the manufacturing process of extruded Aluminum products such as rods, flat bars and H-channels.

Post-Consumer Recycle Content

A measurement, in pounds, that qualifies the amount of material that was once another product that has completed its lifecycle and has been diverted from a landfill as a solid waste through recycling and is now being used in a Playworld Systems' product. E.g. **20% to 40% of the steel in our steel tubing and sheet steel have been diverted from landfills. Automobiles are scrapped and recyclable steel is purchased by the steel mill that produces our raw product.

** The amount of Post-Consumer recycled steel fluctuates daily based on the availability of the recycled steel.

