

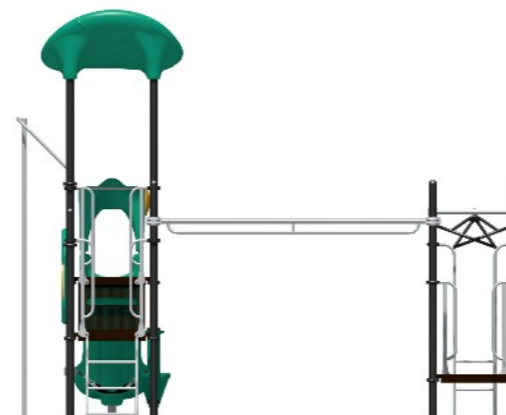
Gravity Challenge

IPL-1516

Equipment Manufacturer



FRONT



SIDE





Playworld Systems, Inc.
1000 Buffalo Road
Lewisburg, PA
17837-9795 USA

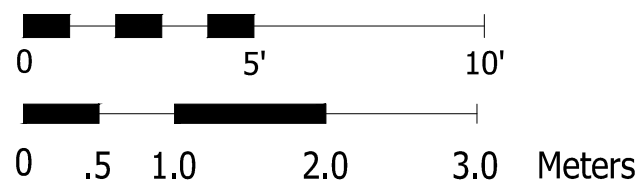
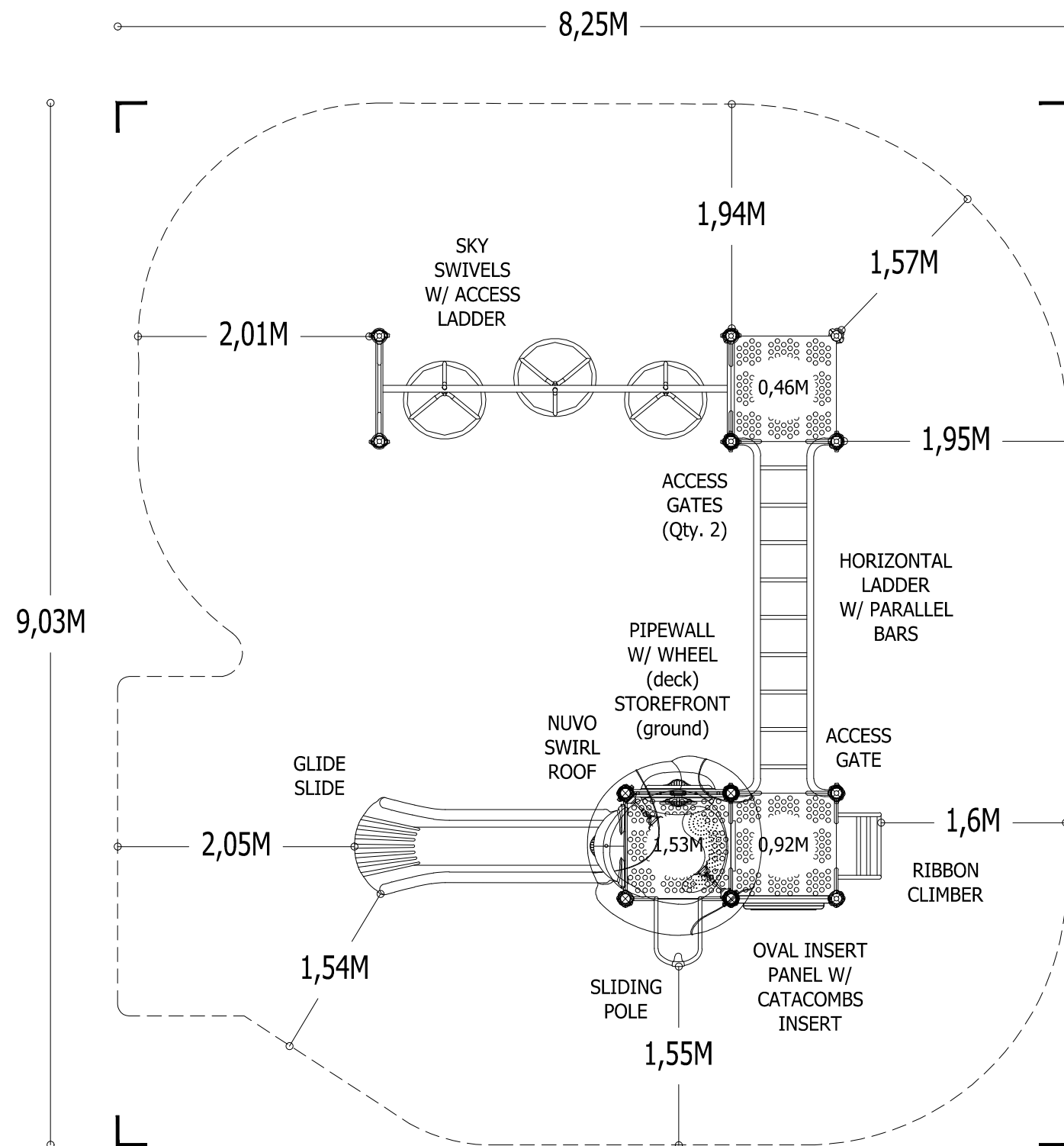
EQUIPMENT SIZE:
4,57M x 5,53M x 4,44M

USE ZONE:
8,25M x 9,03M

AREA: **66,69 SqM.** PERIMETER: **31,63M**

FALL HEIGHT:
2,13M

USER CAPACITY: **25** AGE GROUP: **6-14**



✓ EN-1176

PROJECT NO:
IPL-1516A

SCALE:
1:50

DRAWN BY:
S. KUHNS

Paper Size

DATE:
11-SEP-15

A3

*PLAYGROUND SUPERVISION REQUIRED

GRAVITY CHALLENGE
INTERNATIONAL COLLECTION

Gravity Challenge

Design Number: IPL-1516A - Bill Of Material

Ref. No.	Part No.	Description	Quantity
Posts			
1	ZZCH0009	3.5in OD x 112in STEEL POST W/RIVETED CAP	1
2	ZZCH0018	3.5in OD x 124in STEEL POST W/RIVETED CAP	1
3	ZZCH0028	3.5in OD x 136in STEEL POST W/ RIVETED CAP	6
4	ZZCH0069	3.5in OD x 184in STEEL POST W/O CAP	4
Decks & Kick Plates			
5	ZZCH0616	SQUARE COATED DECK ASSEMBLY	3
Slides			
6	ZZCH2658	GLIDE SLIDE (60in DECK)	1
7	ZZCH8080	SLIDING POLE (60in DECK)	1
Activity Panels			
8	ZZCH4646	STORE FRONT PANEL	1
9	ZZCH4807	OVAL INSERT PANEL (DECK MOUNT)	1
10	ZZCH4896	SLING SEAT	1
11	ZZUN4299	STEERING WHEEL (CH/EX PIPE WALL MOUNT FOR 4in CENTERS)	1
12	ZZUN4792	CATACOMBS PANEL INSERT	1
Barriers			
13	ZZCH4095	CENTERLINE PIPE WALL BARRIER	1
14	ZZCH4288	ACCESS GATE	3
Climbers			
15	ZZCH6190	24in DECK TO DECK CLIMBER	1
16	ZZCH8289	RIBBON CLIMBER (36in DECK)	1
Overhead Events			
17	ZZCH5960	OVERHEAD EVENT ACCESS LADDER (24in DECK)	1
18	ZZCH6808	SKY SWIVELS	1
19	ZZCH6936	HORIZONTAL LADDER W/ PARALLEL BARS	1
Roofs & Arches			
20	ZZCH9868	NUVO SWIRL ROOF	1
Additional Tool & Maintenance Kits			
21	ZZCHGUID	CHALLENGER GUIDELINES	1
22	ZZUN9910	SURFACING WARNING LABEL KIT	1
23	ZZUN9935	PIPE SYSTEMS MAINTENANCE KIT W/O AEROSOL	1
24	ZZXX0049	EN & JPFA HOLE PLUG KIT FOR ECO-ARMOR (150 COUNT)	1
25	ZZXX0109	EN-1176 LABEL	1

Gravity Challenge

Design Number: IPL-1516A - Compliance and Technical Data

Reference Document: EN1176:2008

Ref. No.	Part No.	Qty.	Description	Unit EN Status	Total Weight (lbs)	Pre-Consumer Recycled Content (lbs)	Post-Consumer Content (lbs)	CO2e Footprint (kgs)	Users	Install Hours	Concrete (Yds3)	Active Play Events
1	ZZCH0009	1	3.5in OD x 112in STEEL POST W/RIVETED CAP	Certified	35.40			49	0	1.00	0.13	0
2	ZZCH0018	1	3.5in OD x 124in STEEL POST W/RIVETED CAP	Certified	38.91			54	0	1.00	0.13	0
3	ZZCH0028	6	3.5in OD x 136in STEEL POST W/ RIVETED CAP	Certified	261.06			351	0	6.00	0.75	0
4	ZZCH0069	4	3.5in OD x 184in STEEL POST W/O CAP	Certified	226.84			292	0	4.00	0.50	0
5	ZZCH0616	3	SQUARE COATED DECK ASSEMBLY	Certified	164.58			521	9	3.00	0.00	0
6	ZZCH2658	1	GLIDE SLIDE (60in DECK)	Certified	135.48			562	2	2.00	0.03	1
7	ZZCH8080	1	SLIDING POLE (60in DECK)	Certified	57.73			159	1	1.50	0.03	1
8	ZZCH4646	1	STORE FRONT PANEL	Certified	33.98			243	3	1.00	0.00	1
9	ZZCH4807	1	OVAL INSERT PANEL (DECK MOUNT)	Certified	28.16			211	0	0.50	0.00	0
10	ZZCH4896	1	SLING SEAT	Certified	17.60			146	1	0.50	0.00	1
11	ZZUN4299	1	STEERING WHEEL (CH/EX PIPE WALL MOUNT FOR 4in CENTERS)	Certified	5.29			27	1	0.25	0.00	1
12	ZZUN4792	1	CATACOMBS PANEL INSERT	Certified	23.02			250	1	0.50	0.00	1
13	ZZCH4095	1	CENTERLINE PIPE WALL BARRIER	Certified	28.74			71	0	0.50	0.00	0
14	ZZCH4288	3	ACCESS GATE	Certified	52.02			196	0	1.50	0.00	0
15	ZZCH6190	1	24in DECK TO DECK CLIMBER	Certified	41.34			145	1	1.00	0.00	1
16	ZZCH8289	1	RIBBON CLIMBER (36in DECK)	Certified	35.02			101	2	1.50	0.06	1
17	ZZCH5960	1	OVERHEAD EVENT ACCESS LADDER (24in DECK)	Certified	23.52			69	1	1.50	0.06	0
18	ZZCH6808	1	SKY SWIVELS	Certified	103.86			357	2	1.00	0.00	1
19	ZZCH6936	1	HORIZONTAL LADDER W/ PARALLEL BARS	Certified	126.22			251	1	0.00	0.00	1
20	ZZCH9868	1	NUVO SWIRL ROOF	Certified	80.33			482	0	1.00	0.00	0
21	ZZCHGUID	1	CHALLENGER GUIDELINES	N/A	0.00			1	0	0.25	0.00	0
22	ZZUN9910	1	SURFACING WARNING LABEL KIT	N/A	0.05			1	0	0.25	0.00	0
23	ZZUN9935	1	PIPE SYSTEMS MAINTENANCE KIT W/O AEROSOL	N/A				57				



Gravity Challenge

Design Number: IPL-1516A - Compliance and Technical Data

Reference Document: EN1176:2008

Ref. No.	Part No.	Qty.	Description	Unit EN Status	Total Weight (lbs)	Pre-Consumer Recycled Content (lbs)	Post-Consumer Content (lbs)	CO2e Footprint (kgs)	Users	Install Hours	Concrete (Yds3)	Active Play Events
24	ZZXX0049	1	EN & JPFA HOLE PLUG KIT FOR ECO-ARMOR (150 COUNT)	Certified	4.51			158	0	0.00	0.00	0
25	ZZXX0109	1	EN-1176 LABEL	Certified	0.01			0	0	0.50	0.00	0
Totals:					1,523.67	229	466	4,754	25	30.25	1.68	10
					685.65 Kg	103 Kg	210 Kg	5 Metric Tons				1.28 m3



Gravity Challenge

Design Number: IPL-1516A - Compliance and Technical Data

Reference Document: EN1176:2008

Ref. No.	Part No.	Qty.	Description	Unit EN Status	Total Weight (lbs)	Pre-Consumer Recycled Content (lbs)	Post-Consumer Content (lbs)	CO2e Footprint (kgs)	Users	Install Hours	Concrete (Yds3)	Active Play Events
----------	----------	------	-------------	----------------	--------------------	-------------------------------------	-----------------------------	----------------------	-------	---------------	-----------------	--------------------

EN1176:2008

This custom structure, drawing number IPL-1516A, has been designed to meet the general safety requirements of EN1176:2008. These requirements have been established with the consideration of the risk factor on available data. The items listed as certified have been reviewed and approved by a third party certification service. In addition to the product listing the overall layout and design of this structure, as shown in the plan, was completed in accordance with the general safety requirements of EN1176:2008.

Installation Times

Installation times are based on one experienced installer. A crew of three experienced individuals can perform the installation within the given time, each member working 1/3 of the given hours. [Eg. Installation Time = 30 hours. For a crew of three, each member will work 10 hours on the installation for a total of 30 hours on the project.]

Carbon Footprint

The CO2e (carbon footprint given in Kilograms and Metric Tons) listed above is a measure of the environmental impact this play structure represents from harvesting raw materials to the time it leaves our shipping dock. Playworld Systems nurtures a total corporate culture that is focused on eliminating carbon producing processes and products, reducing our use of precious raw materials, reusing materials whenever possible and recycling materials at every opportunity. Playworld Systems elected to adopt the Publicly Available Specification; PAS 2050 as published by the British Standards Institute and sponsored by Defra and the Carbon Trust. The PAS 2050 has gained international acceptance as a specification that measures the greenhouse gas emissions in services and goods throughout their entire life cycle.

Pre-Consumer Recycle Content

A measurement, in pounds, that qualifies the amount of material that was captured as waste and diverted from landfill during an initial manufacturing process and is being redirected to a separate manufacturing process to become a different product. E.g. 100% of our Aluminum Tubing is made from captured waste material during the manufacturing process of extruded Aluminum products such as rods, flat bars and H-channels.

Post-Consumer Recycle Content

A measurement, in pounds, that qualifies the amount of material that was once another product that has completed its lifecycle and has been diverted from a landfill as a solid waste through recycling and is now being used in a Playworld Systems' product. E.g. **20% to 40% of the steel in our steel tubing and sheet steel have been diverted from landfills. Automobiles are scrapped and recyclable steel is purchased by the steel mill that produces our raw product.

** The amount of Post-Consumer recycled steel fluctuates daily based on the availability of the recycled steel.

