

FirstPlay Toddler Design #1

FP-505

Equipment Manufacturer



FirstPlay Toddler Design #1

FP-505

Equipment Manufacturer



FirstPlay Toddler Design #1

FP-505

Equipment Manufacturer



FirstPlay Toddler Design #1

FP-505

Equipment Manufacturer



FirstPlay Toddler Design #1

FP-505

Equipment Manufacturer

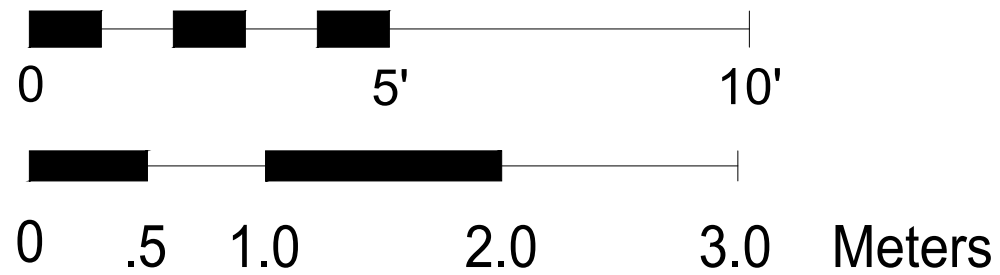
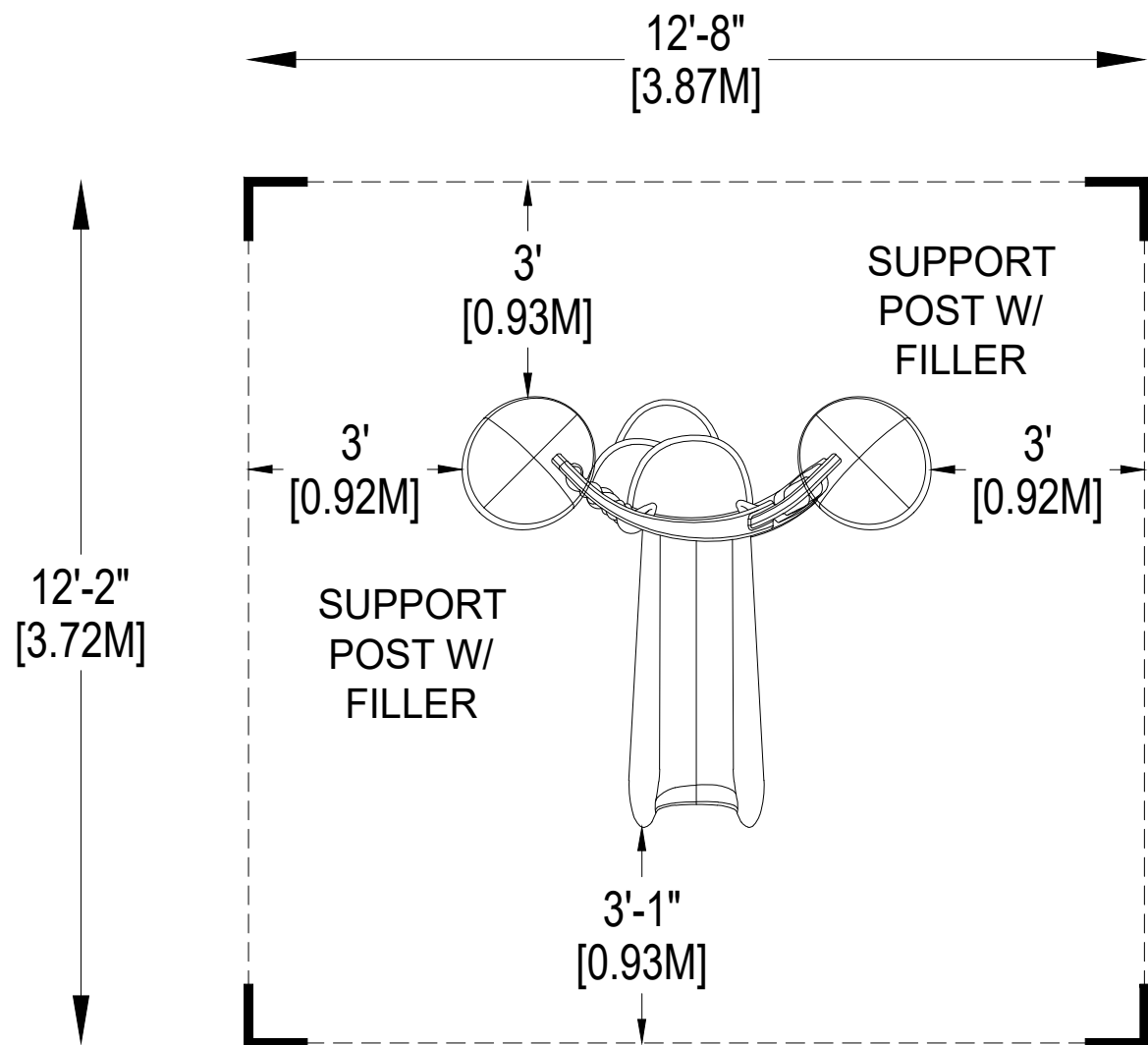


FirstPlay Toddler Design #1

FP-505

Equipment Manufacturer





*PLAYGROUND SUPERVISION REQUIRED



PLAYWORLD SYSTEMS, INC.
 1000 Buffalo Road
 Lewisburg, PA
 17837-9795 USA

EQUIPMENT SIZE:
6'8" x 6'2" x 5'0"
 2,03M x 1,88M x 1,52M

USE ZONE:
12'8" x 12'2"
 3,87M x 3,72M

AREA:	PERIMETER:
155 SqFt.	50 Ft.
14,4 SqM.	15,24M

FALL HEIGHT:
1'5"
 0,46M

USER CAPACITY:	AGE GROUP:
4	6-23mos

ASTM F2373-11(2017)



PROJECT NO:
FP-505N

SCALE:
3/8"=1'-0"

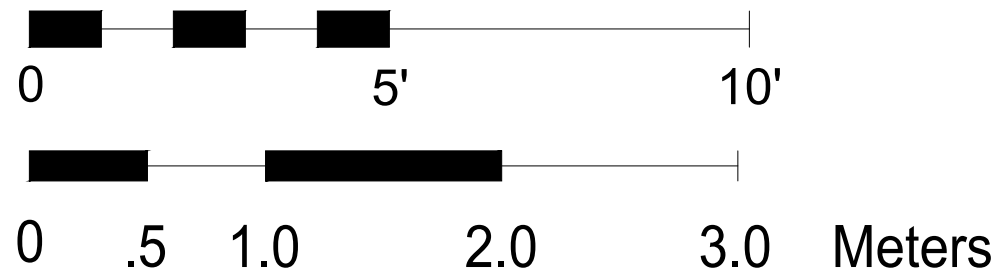
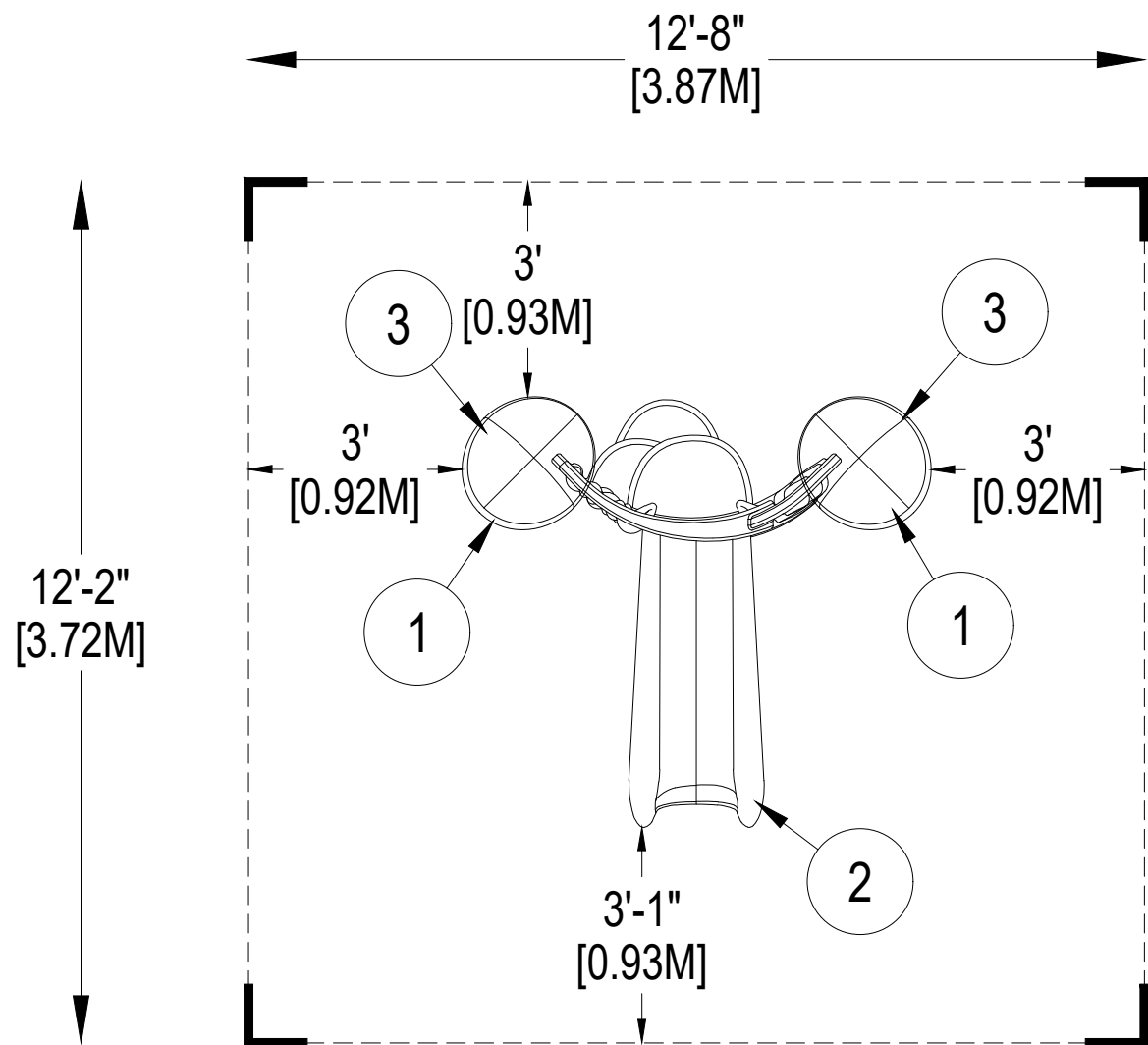
DRAWN BY:
SCOTT KUHNS

Paper Size

DATE:
13-NOV-17

B

FIRSTPLAY TODDLER DESIGN #1
 CATALOG PRE-DESIGN



*PLAYGROUND SUPERVISION REQUIRED



PLAYWORLD SYSTEMS, INC.
 1000 Buffalo Road
 Lewisburg, PA
 17837-9795 USA

EQUIPMENT SIZE:
6'8" x 6'2" x 5'0"
 2,03M x 1,88M x 1,52M

USE ZONE:
12'8" x 12'2"
 3,87M x 3,72M

AREA:	PERIMETER:
155 SqFt.	50 Ft.
14,4 SqM.	15,24M

FALL HEIGHT:
1'5"
 0,46M

USER CAPACITY:	AGE GROUP:
4	6-23mos

ASTM F2373-11(2017)



PROJECT NO:
FP-505N

SCALE:
3/8"=1'-0"

DRAWN BY:
SCOTT KUHNS

Paper Size

DATE:
13-NOV-17

B

FIRSTPLAY TODDLER DESIGN #1
 CATALOG PRE-DESIGN